



InfraRed Healthcare Heat Incandescent

PAR38 IR 150W E27 230V Red 1CT/12

Philips infrared lamps for healthcare and bodycare applications are designed for treating deep-seated muscular ailments and sports injuries. These incandescent reflector lamps are an excellent solution to provide localized heat treatment to relieve muscular pain. They can also be used to treat rheumatic ailments. This form of heat therapy has also been shown to speed the healing of different kinds of injuries such as sports injuries and non-infected wounds, in many cases providing rapid and effective pain relief. The benefits of this form of heat therapy are based on locally enhanced blood circulation in the skin caused by vasodilatory response. This results in an increased transport rate of metabolites and other essential biochemical compounds. Benefits are also gained by deeper penetration of heat, which provides a gentle, pleasant warming effect.

Product data

General information	
Cap-Base	E27 [E27]
Operating Position	UNIVERSAL [Any or Universal (U)]
Main Application	Infrared Health
Nominal Lifetime (Nom)	300 h
Rated Lifetime (Hours)	300 h

Operating and electrical	
Power (Nom)	150 W
Voltage (Nom)	230 V

Controls and dimming	
Dimmable	Yes

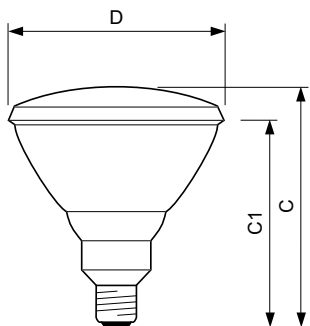
Mechanical and housing	
Bulb Finish	Red
Bulb Material	Hard Glass
Bulb Shape	PAR38 [PAR 4.75 inch/121mm]

Product data	
Full product code	871150012887415
Order product name	PAR38 IR 150W E27 230V Red 1CT/12
EAN/UPC - Product	8711500128874
Order code	923806644210
Numerator - Quantity Per Pack	1
Local code description	LÂMPADA INFRAVERMELHA PAR38 150W 220V
Numerator - Packs per outer box	12
Material Nr. (12NC)	923806644210

InfraRed Healthcare Heat Incandescent

Net Weight (Piece)	308.000 g
--------------------	-----------

Dimensional drawing



PAR38 IR 150W E27 230V Red 1CT/12

Product	D	C (max)	C1 (max)
PAR38 IR 150W E27 230V Red 1CT/12	121 mm	136 mm	124 mm

