



# MASTERColour CDM-Rm Elite Mini



## MASTERColour CDM-Rm Elite Mini 20W/830 GX10 MR16 40D

Mini, very high-efficiency Ceramic Metal Halide discharge reflector lamp producing crisp white sparkling light with high color rendering

### Warnings and Safety

- Use only with electronic control gear
- Control gear must include end-of-life protection (IEC61167, IEC 62035).
- A lamp breaking is extremely unlikely to have any impact on your health. If a lamp breaks, ventilate the room for 30 minutes and remove the parts, preferably with gloves. Put them in a sealed plastic bag and take it to your local waste facilities for recycling. Do not use a vacuum cleaner.

### Product data

General information			
Cap-Base	GX10 [ GX10]	Beam Angle Technical (Nom)	40 °
Operating Position	UNIVERSAL [ Any or Universal (U)]	Beam Angle Technical (Max)	48 °
Life to 5% Failures (Nom)	9000 h	Beam Angle Technical (Min)	32 °
Life To 10% Failures (Nom)	10000 h	Luminous Flux (Nom)	860 lm
Life to 20% Failures (Nom)	12000 h	Luminous Flux (Rated) (Min)	900 lm
Life to 50% Failures (Nom)	15000 h	Luminous Flux (Rated) (Nom)	970 lm
ANSI Code HID	C156/O	Luminous Intensity (Min)	1350 cd
Switching Cycle	1350X	Luminous Intensity (Nom)	1750 cd
Flux measurement reference	Narrow Cone	Beam Description	-
		Lumen Maintenance 12000 h (Nom)	75 %
		Lumen Maintenance 2000 h (Nom)	90 %
		Lumen Maintenance 4000 h (Nom)	85 %
		Chromaticity Coordinate X (Nom)	0.434
		Chromaticity Coordinate Y (Nom)	0.398
Light technical			
Color Code	830 [ CCT of 3000K]		
Beam Angle (Nom)	40 °		

## MASTERColour CDM-Rm Elite Mini

Correlated Color Temperature (Nom)	3000 K
Luminous Efficacy (rated) (Nom)	50 lm/W
Color Rendering Index (Min)	81
Color Rendering Index (Nom)	84
LLMF At End Of Nominal Lifetime (Nom)	70 %
Luminous Flux in 90° Cone (Rated)	860 lm

### Operating and electrical

Power (Nom)	20.1 W
Re-Ignition Time (Min) (Max)	15 min
Warm Up Time to 60% Light (Nom)	120 s
Ignition Time (Max)	30 s
Voltage (Max)	100 V
Voltage (Min)	90 V
Voltage (Nom)	95 V

### Controls and dimming

Dimmable	No
Run-Up Time 90% (Max)	3 min

### Mechanical and housing

Bulb Shape	MR16 [ 2inch/50mm]
------------	--------------------

### Approval and application

Energy Efficiency Class	G
Mercury (Hg) Content (Max)	3.5 mg

Mercury (Hg) Content (Nom)	3.5 mg
Energy Consumption kWh/1000 h	21 kWh
EPREL Registration Number	473268

### UV

Pet (Niosh) (Min)	8 h/500lx
Damage Factor D/fc (Max)	0.4

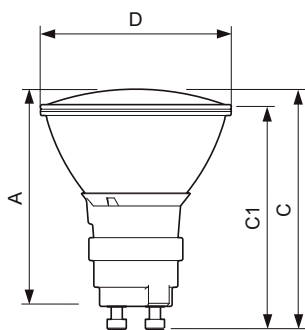
### Luminaire design requirements

Reflector Neck Temperature (Max)	419 °F
----------------------------------	--------

### Product data

Full product code	871829120303200
Order product name	MASTERColour CDM-Rm Elite Mini 20W/830 GX10 MR16 40D
EAN/UPC - Product	8718291203032
Order code	928191205331
Numerator - Quantity Per Pack	1
Local code description	MC CDM-Rm Mini 20W/830 GX10 MR16 40D
Numerator - Packs per outer box	12
Material Nr. (12NC)	928191205331
Net Weight (Piece)	0.047 kg
ILCOS Code	MRS/UB-20/830-H-GX10-51/54.5/40

## Dimensional drawing

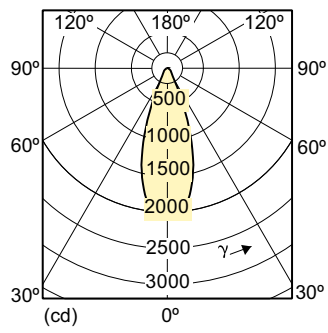
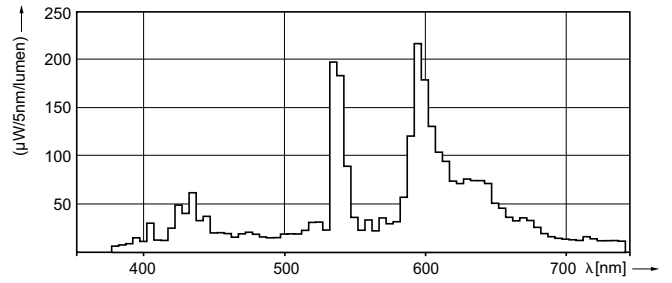
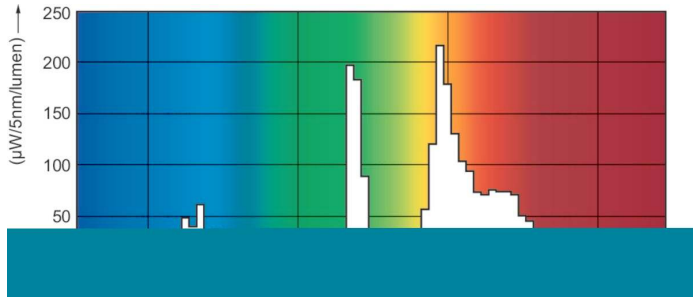


MASTERColour CDM-Rm Elite Mini 20W/830 GX10 MR16 40D

Product	D (max)	D	C (max)	C	C1 (max)	A (max)
MASTERColour CDM-Rm Elite Mini 20W/830 GX10 MR16 40D	51 mm	50 mm	65.4 mm	62.75 mm	60.9 mm	59 mm

# MASTERCoulour CDM-Rm Elite Mini

## Photometric data



LDLD\_CDM-Rm\_20W\_40D\_0003-Light distribution diagram

## Lifetime



## MASTERCcolour CDM-Rm Elite Mini

