

Edition: 10/05 - subject to change

Supersedes:
Status: valid

93729 HPL (230/240V)

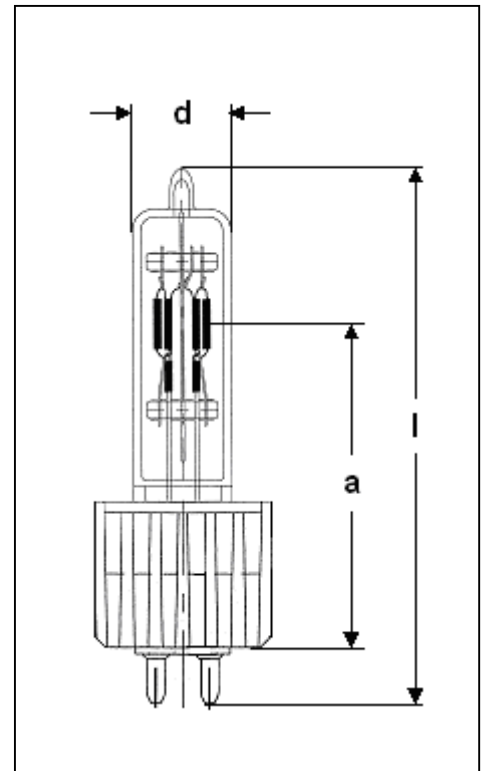
■ Product description

The OSRAM 93729 (HPL 750/230)* is a Halogen **H**igh **P**erformance **L**amp (HPL), which is manufactured under the licence of ENTERTEC Inc., L.A./USA. The particular arrangement of the filaments is designed for optimum performance in luminaries of the "Source Four" family from ETC. Due to the UCF (Ultra Compact Filament) technology the lamp efficiency could be further improved.

■ Technical Data

| | | |
|-----------------------------|----|-----------------------------|
| Lamp / order reference | | 93729 HPL |
| ANSI | | HPL 750 |
| LIF | | - |
| Rated lamp wattage | W | 750 |
| Rated lamp voltage | V | 230* |
| Rated current | A | 3.3 |
| Average life-time | h | 300 |
| Color temperature | K | 3200 |
| Luminous flux | lm | 19000 |
| Base | | G9,5 special with heat sink |
| Diameter d | mm | 19 |
| Lamp length L | mm | 104 |
| LCL a | mm | 60,3 |
| Filament dimensions (w x h) | mm | 7.5 x 11.5 |
| Type of coil | | 6-C8 |

* also available as version HPL 750/240 (240V)



■ Lamp operation

| | | |
|-----------------------|----|-------------|
| Max. base temperature | °C | 350 |
| Cooling | | convection |
| Burning position | | any |
| Fuse protection | | 6.3 A quick |