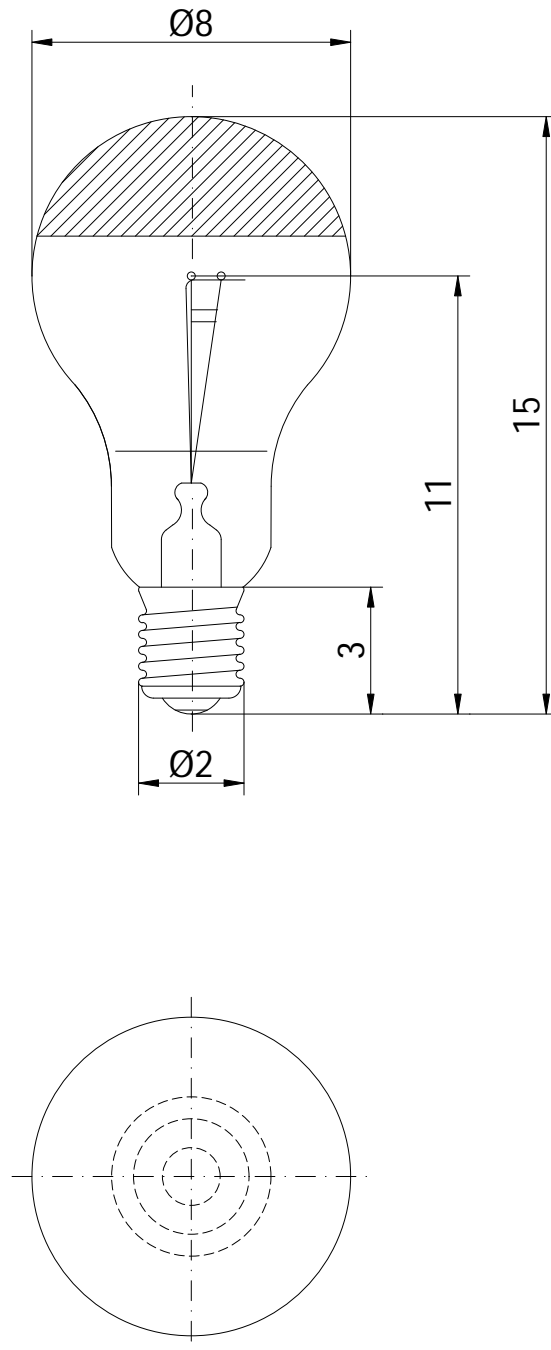


Drawings and descriptions only for information purpose. SiL Int. BV. disclaims all warranties without limitation.



REF.	VOLT	WATT / AMP	BASE	LMN	LM / W
936026	24	75	E27/30	1700	22,7
HRS	BRAND		APPLICATION		COMMENTS
100	DR. FISCHER GMBH		Operating Theatre		