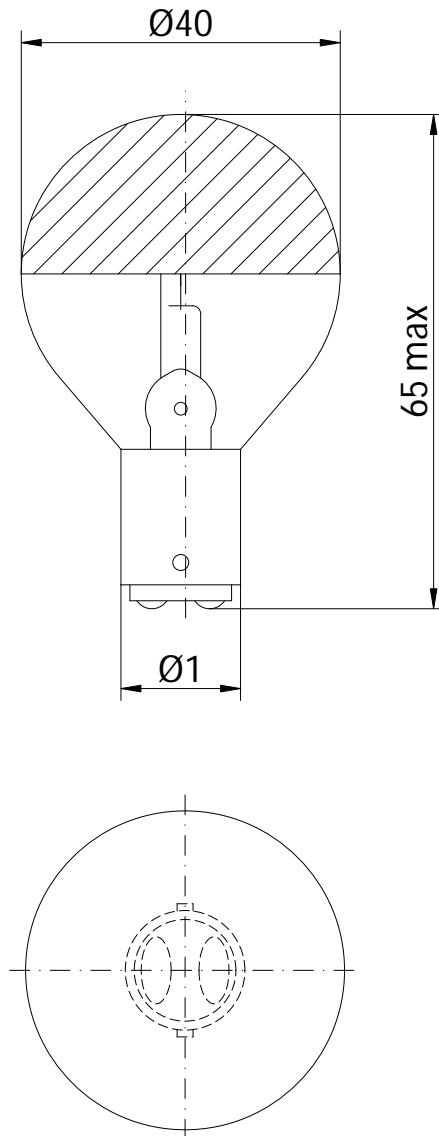


Drawings and descriptions only for information purpose. SiL Int. BV. disclaims all warranties without limitation.



REF.	VOLT	WATT / AMP	BASE	LMN	LM / W
936015	24	40	Ba15d/23	500	12,5
HRS	BRAND		APPLICATION		COMMENTS
600	DR. FISCHER GMBH		Operating Theatre		Axial Filament