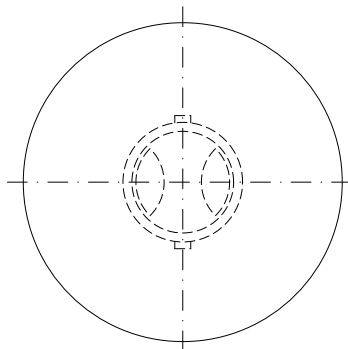
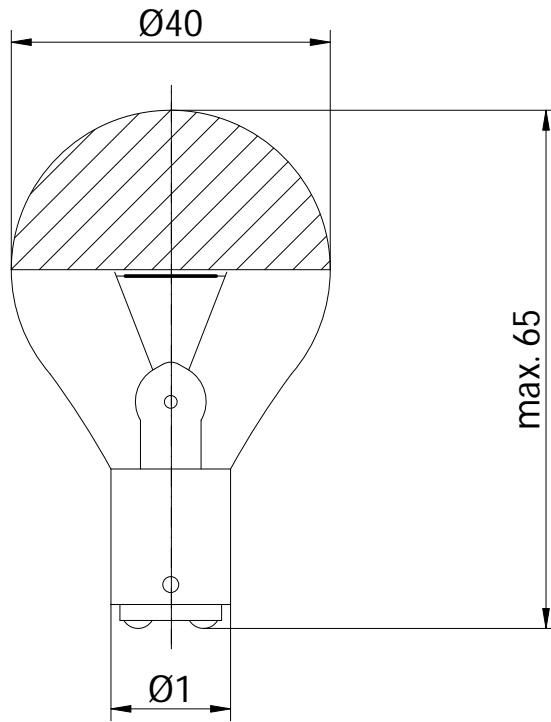


Drawings and descriptions only for information purpose. SiL Int. BV. disclaims all warranties without limitation.



REF.	VOLT	WATT / AMP	BASE	LMN	LM / W
936012	24	25	Ba15d/20	300	12
HRS	BRAND		APPLICATION		COMMENTS
300	DR. FISCHER GMBH		Operating Theatre		