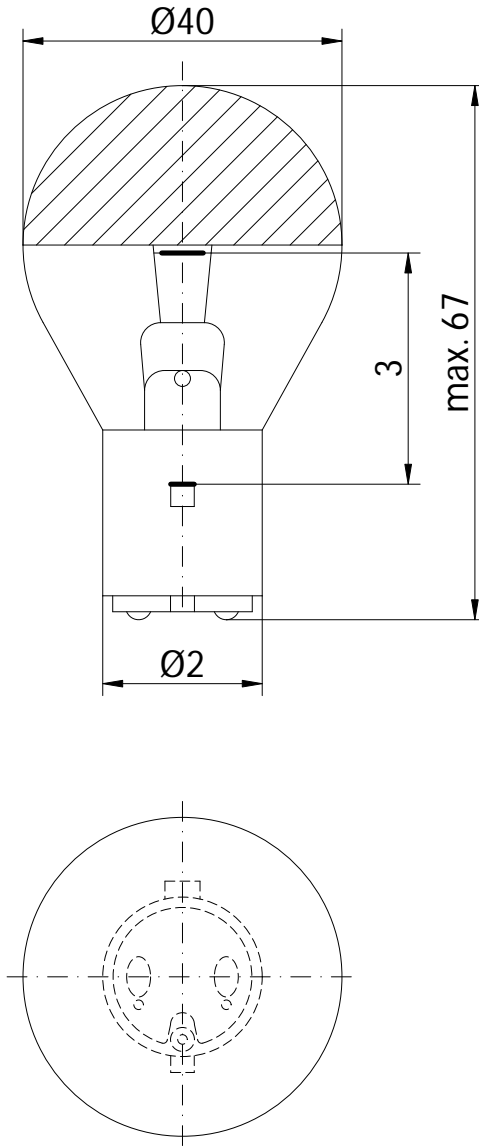


Drawings and descriptions only for information purpose. SiL Int. BV. disclaims all warranties without limitation.



REF.	VOLT	WATT / AMP	BASE	LMN	LM / W
935051	42	50	Ba20d/23	700	14
HRS	BRAND		APPLICATION		COMMENTS
600	DR. FISCHER GMBH		Various		