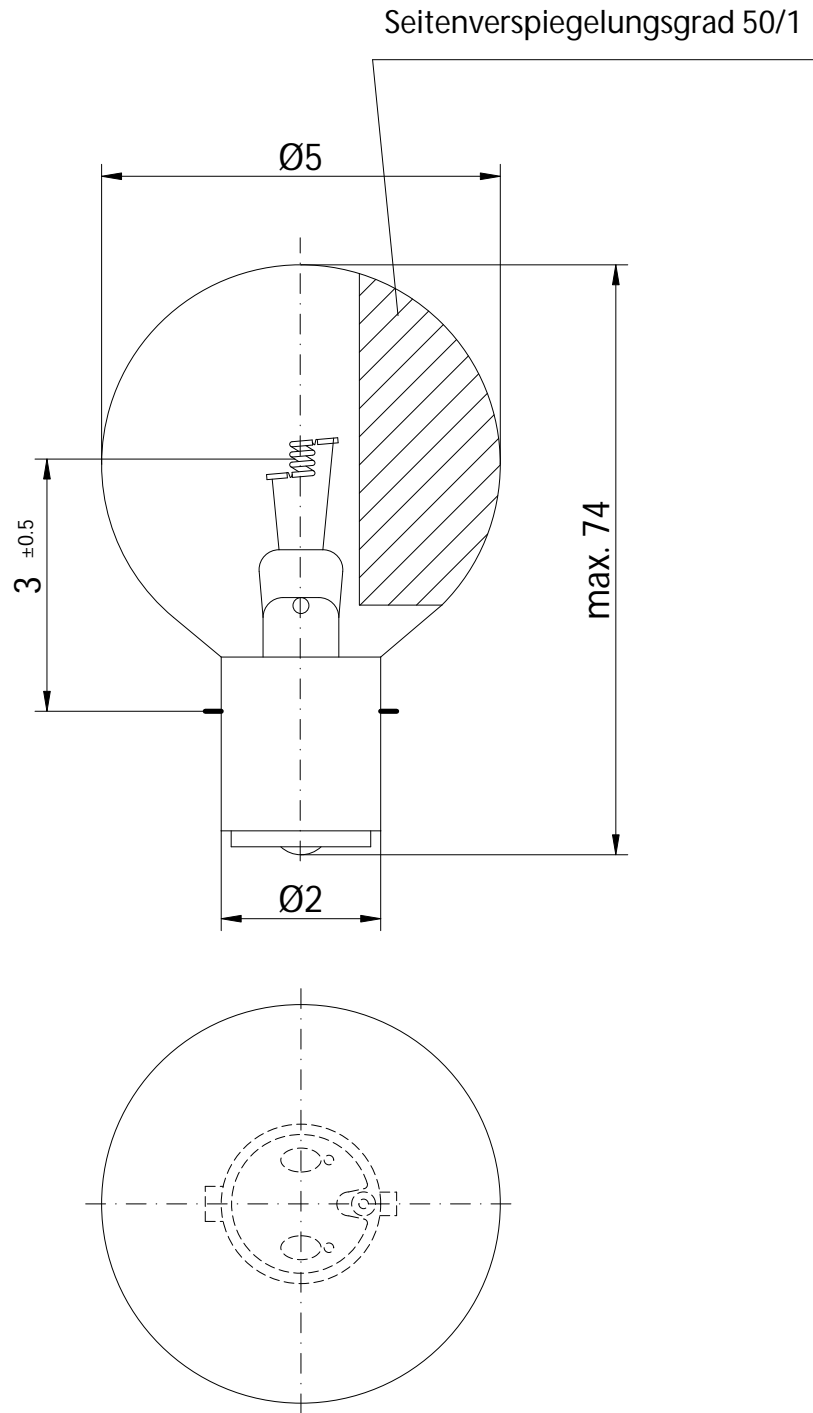


Drawings and descriptions only for information purpose. SiL Int. BV. disclaims all warranties without limitation.



REF.	VOLT	WATT / AMP	BASE	LMN	LM / W
935048	24	100	Ba20d/23	1800	18
HRS	BRAND		APPLICATION		COMMENTS
100	DR. FISCHER GMBH		Medical		