



LED MR16

7.8MR16/PER/930/F35/Dim/EC/12V 10/1FB

Philips LED MR-16 lamps with single optic technology provide the look and color quality of traditional halogens while using a fraction of the energy. A perfect fit for spot lighting, they are compatible with most existing fixtures with MR16 GU5.3 holders and are designed as a retrofit replacement for halogen or incandescent spots.

Product data

General information	
Cap-Base	GU5.3 [GU5.3]
EU RoHS compliant	Yes
Nominal Lifetime (Nom)	25000 h
Switching Cycle	50000X

Light technical	
Color Code	930 [CCT of 3000K]
Beam Angle (Nom)	35 °
Luminous Flux (Nom)	480 lm
Luminous Intensity (Nom)	1320 cd
Color Designation	White (WH)
Correlated Color Temperature (Nom)	3000 K
Luminous Efficacy (rated) (Nom)	61.00 lm/W
Color Consistency	<3
Color Rendering Index (Nom)	95
LLMF At End Of Nominal Lifetime (Nom)	70 %

Operating and electrical	
Input Frequency	- Hz
Power (Nom)	7.8 W
Lamp Current (Nom)	720 mA

Wattage Equivalent	
Wattage Equivalent	50 W
Starting Time (Nom)	0.5 s
Warm Up Time to 60% Light (Nom)	0.5 s
Power Factor (Nom)	0.7
Voltage (Nom)	ac electronic 12 V

Temperature	
T-Case Maximum (Nom)	93 °C

Controls and dimming	
Dimmable	Only with specific dimmers

Mechanical and housing	
Bulb Finish	Clear
Bulb Material	Aluminum
Bulb Shape	MR16 [2inch/50mm]

Approval and application	
Suitable For Accent Lighting	Yes
Energy Certifications	Energy Star

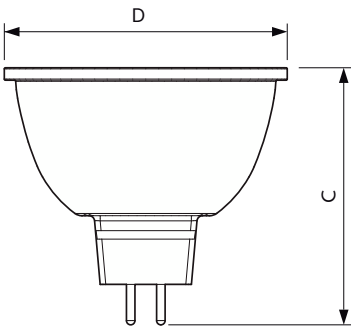
LED MR16

Product data

Order product name	7.8MR16/PER/930/F35/Dim/EC/12V 10/1FB
EAN/UPC - Product	046677573645
Order code	929003081404
Numerator - Quantity Per Pack	1

Numerator - Packs per outer box	10
Material Nr. (12NC)	929003081404
Net Weight (Piece)	0.052 kg

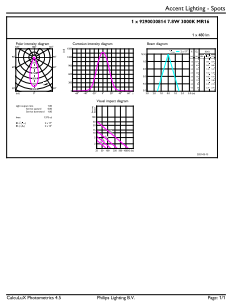
Dimensional drawing



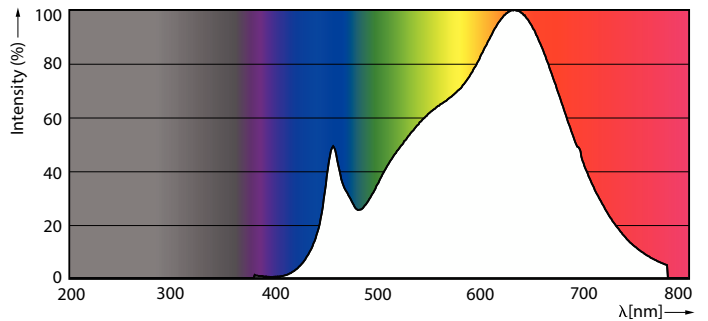
7.8MR16/PER/930/F35/Dim/EC/12V 10/1FB

Product	D	C
7.8MR16/PER/930/F35/Dim/EC/12V 10/1FB	50.5 mm	46 mm

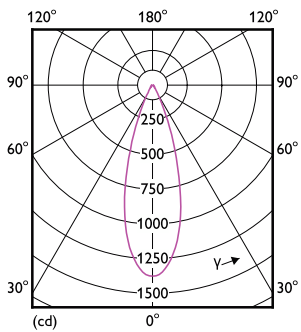
Photometric data



LEDspots DIM IC 7,8W MR16 GU5,3 930 35D-ADL



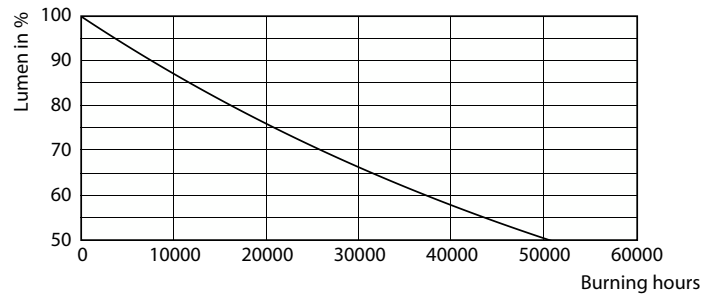
LEDspots DIM IC 7,8W MR16 GU5,3 930 10D-POC



LEDspots DIM IC 7,8W MR16 GU5,3 927 35D-LDD

LED MR16

Lifetime



Life Expectancy Diagram

Lumen Maintenance Diagram

