



LED MR16

7.8MR16/PER/930/F25/Dim/EC/12V 10/1FB

Philips LED MR-16 lamps with single optic technology provide the look and color quality of traditional halogens while using a fraction of the energy. A perfect fit for spot lighting, they are compatible with most existing fixtures with MR16 GU5.3 holders and are designed as a retrofit replacement for halogen or incandescent spots.

Product data

General information			
Cap-Base	GU5.3 [GU5.3]		
EU RoHS compliant	Yes		
Nominal Lifetime (Nom)	25000 h		
Switching Cycle	50000X		
Wattage Equivalent		50 W	
Starting Time (Nom)		0.5 s	
Warm Up Time to 60% Light (Nom)		0.5 s	
Power Factor (Nom)		0.7	
Voltage (Nom)		ac electronic 12 V	
Light technical			
Color Code	930 [CCT of 3000K]		
Beam Angle (Nom)	25 °		
Luminous Flux (Nom)	480 lm		
Luminous Intensity (Nom)	2330 cd		
Color Designation	White (WH)		
Correlated Color Temperature (Nom)	3000 K		
Luminous Efficacy (rated) (Nom)	61.00 lm/W		
Color Consistency	<3		
Color Rendering Index (Nom)	95		
LLMF At End Of Nominal Lifetime (Nom)	70 %		
Temperature		T-Case Maximum (Nom)	93 °C
Controls and dimming			
Dimmable	Only with specific dimmers		
Mechanical and housing			
Bulb Finish	Clear		
Bulb Material	Aluminum		
Bulb Shape	MR16 [2inch/50mm]		
Approval and application			
Suitable For Accent Lighting	Yes		
Energy Certifications	Energy Star		
Operating and electrical			
Input Frequency	- Hz		
Power (Nom)	7.8 W		
Lamp Current (Nom)	720 mA		

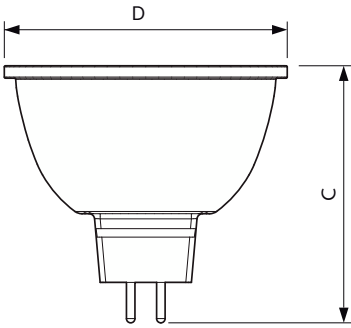
LED MR16

Product data

Order product name	7.8MR16/PER/930/F25/Dim/EC/12V 10/1FB
EAN/UPC - Product	046677573614
Order code	929003081104
Numerator - Quantity Per Pack	1

Numerator - Packs per outer box	10
Material Nr. (12NC)	929003081104
Net Weight (Piece)	0.052 kg

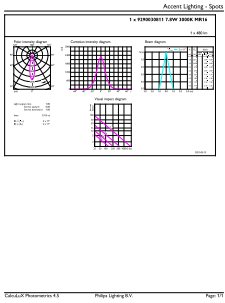
Dimensional drawing



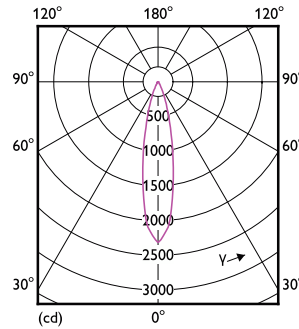
7.8MR16/PER/930/F25/Dim/EC/12V 10/1FB

Product	D	C
7.8MR16/PER/930/F25/Dim/EC/12V 10/1FB	50.5 mm	46 mm

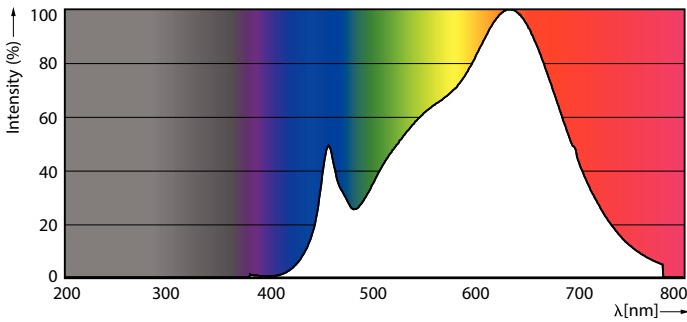
Photometric data



LEDspots DIM IC 7,8W MR16 GU5,3 930 25D-ADL



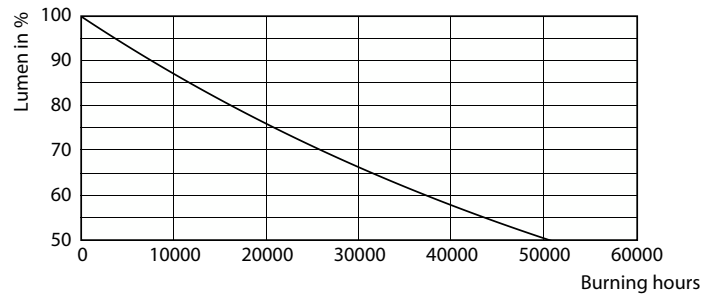
LEDspots DIM IC 7,8W MR16 GU5,3 927 25D-LDD



LEDspots DIM IC 7,8W MR16 GU5,3 930 10D-POC

LED MR16

Lifetime



Life Expectancy Diagram

Lumen Maintenance Diagram

