



LED MR16

7.8MR16/PER/927/F25/Dim/EC/12V 10/1FB

Philips LED MR-16 lamps with single optic technology provide the look and color quality of traditional halogens while using a fraction of the energy. A perfect fit for spot lighting, they are compatible with most existing fixtures with MR16 GU5.3 holders and are designed as a retrofit replacement for halogen or incandescent spots.

Product data

General information	
Cap-Base	GU5.3 [GU5.3]
EU RoHS compliant	Yes
Nominal Lifetime (Nom)	25000 h
Switching Cycle	50000X
Light technical	
Color Code	927 [CCT of 2700K]
Beam Angle (Nom)	25 °
Luminous Flux (Nom)	480 lm
Luminous Intensity (Nom)	2330 cd
Color Designation	Warm White (WW)
Correlated Color Temperature (Nom)	2700 K
Luminous Efficacy (rated) (Nom)	61.00 lm/W
Color Consistency	<3
Color Rendering Index (Nom)	95
LLMF At End Of Nominal Lifetime (Nom)	70 %
Operating and electrical	
Input Frequency	- Hz
Power (Nom)	7.8 W
Lamp Current (Nom)	720 mA

Wattage Equivalent	50 W
Starting Time (Nom)	0.5 s
Warm Up Time to 60% Light (Nom)	0.5 s
Power Factor (Nom)	0.7
Voltage (Nom)	ac electronic 12 V
Temperature	
T-Case Maximum (Nom)	93 °C
Controls and dimming	
Dimmable	Only with specific dimmers
Mechanical and housing	
Bulb Finish	Clear
Bulb Material	Aluminum
Bulb Shape	MR16 [2inch/50mm]
Approval and application	
Suitable For Accent Lighting	Yes
Energy Certifications	Energy Star

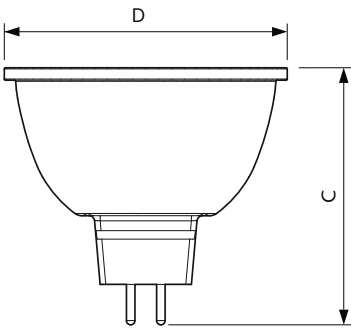
LED MR16

Product data

Order product name	7.8MR16/PER/927/F25/Dim/EC/12V 10/1FB
EAN/UPC - Product	046677573607
Order code	929003081004
Numerator - Quantity Per Pack	1

Numerator - Packs per outer box	10
Material Nr. (12NC)	929003081004
Net Weight (Piece)	0.052 kg

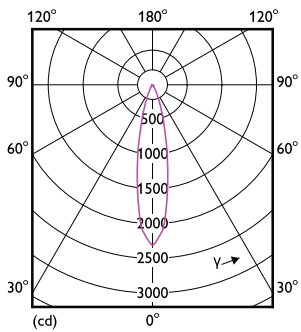
Dimensional drawing



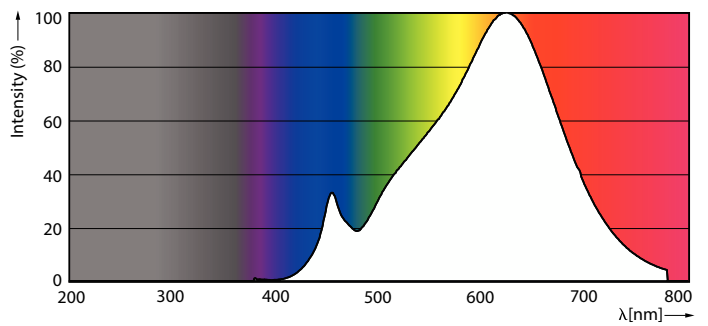
7.8MR16/PER/927/F25/Dim/EC/12V 10/1FB

Product	D	C
7.8MR16/PER/927/F25/Dim/EC/12V 10/1FB	50.5 mm	46 mm

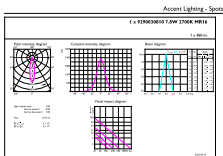
Photometric data



LEDspots DIM IC 7,8W MR16 GU5,3 927 25D-LDD



LEDspots DIM IC 7,8W MR16 GU5,3 927 10D-POC

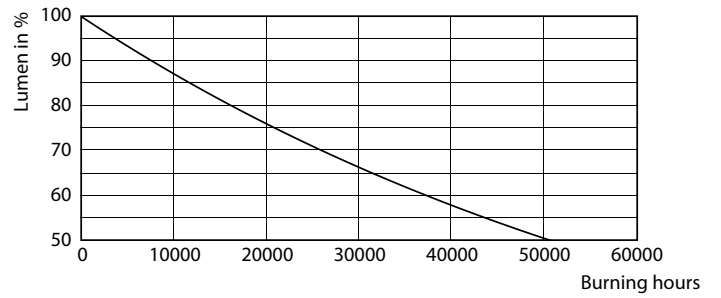
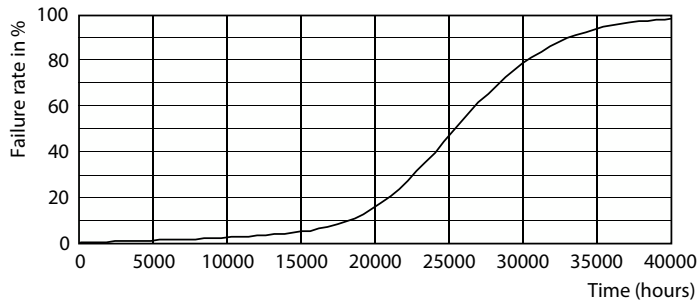


© 2022 Philips Lighting B.V. All rights reserved.

LEDspots DIM IC 7,8W MR16 GU5,3 927 25D-ADL

LED MR16

Lifetime



Life Expectancy Diagram

Lumen Maintenance Diagram

