



# MASTER LEDspot ExpertColor LV



## MAS LED ExpertColor 6.7-35W MR16 927 36D

MASTER LEDspot LV ExpertColor creates a warm and comfortable ambience for hospitality venues, homes and restaurants. It creates such an ambience with superior lighting that has a customized spectrum, high CRI, and deep dimming feature. The result? A beautiful lighting experience. What's more, the innovative, trimless lens design will suit almost any interior decor with its clean and neat look. In addition, you can take advantage of the full ExpertColor family, which also includes LEDspot MV and LEDspot Par lamps.

### Product data

General Information		Luminous Flux in 90° Cone (Rated)	420 lumen
Lighting Technology	LED	Operating and Electrical	
Flux measurement reference	Narrow Cone	Line Frequency	- Hz
Switching Cycle	50,000	Input Frequency	- Hz
Nominal lifetime	40,000 hour(s)	Power Consumption	6.7 W
Cap-Base	GU5.3 [GU5.3]	Lamp Current (Nom)	650 mA
Light Technical		Wattage Equivalent	35 W
Color Code	927 [CCT of 2700K]	Starting Time (Nom)	0.5 s
Beam Angle (Nom)	36 degree(s)	Warm-up time to 60% light	0.5 s
Luminous Flux	420 lumen	Power Factor (Fraction)	0.7
Luminous Intensity (Nom)	1,300 cd	Voltage (Nom)	ac electronic 12 V
Color Designation	Warm White (WW)	Temperature	
Correlated Color Temperature (Nom)	2700 K	T-Case Maximum (Nom)	92 °C
Luminous Efficacy (rated) (Nom)	62 lm/W		
Color Consistency	<3		
Color rendering index (CRI)	97		
LLMF At End Of Nominal Lifetime (Nom)	70 %		

# MASTER LEDspot ExpertColor LV

## Controls and Dimming

**Dimmable** Only with specific dimmers

## Mechanical and Housing

**Bulb Shape** MR16 [2inch/50mm]

## Approval and Application

**Energy Efficiency Class** G

**Suitable For Accent Lighting** Yes

**Energy Consumption kWh/1000 h** 7 kWh

**EPREL Registration Number** 624210

**CE mark** Yes

**EU RoHS compliant** Yes

## Product Data

**Full product code** 871951435859100

**Order product name** MAS LED ExpertColor 6.7-35W MR16 927 36D

**Order code** 929003079402

**Numerator - Quantity Per Pack** 1

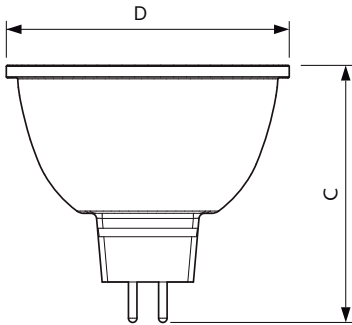
**Numerator - Packs per outer box** 10

**Material number (12NC)** 929003079402

**Full product name** MAS LED ExpertColor 6.7-35W MR16 927 36D

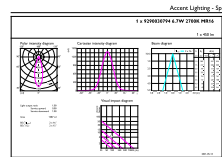
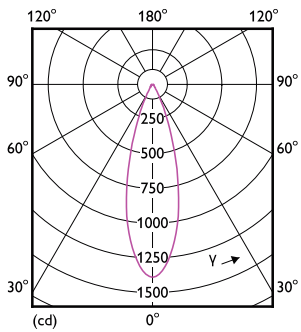
**EAN/UPC - Case** 8719514358607

## Dimensional drawing



Product	D	C
MAS LED ExpertColor 6.7-35W MR16 927 36D	50.5 mm	46 mm

## Photometric data

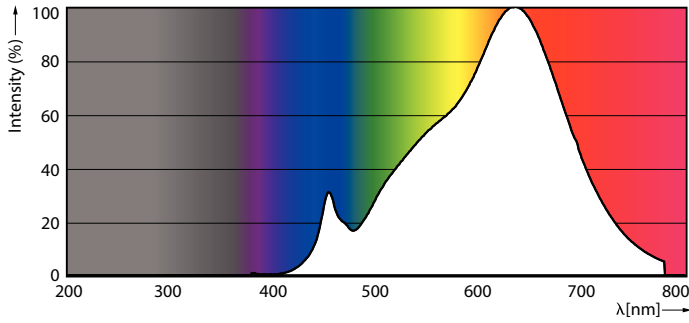


Light Distribution Diagram - MAS LED ExpertColor 6.7-35W MR16 927 36D

Accent Lighting Spots - MAS LED ExpertColor 6.7-35W MR16 927 36D

# MASTER LEDspot ExpertColor LV

## Photometric data



Spectral Power Distribution Colour - MAS LED ExpertColor 6.7-35W MR16 927 36D

## Lifetime



Life Expectancy Diagram - MAS LED ExpertColor 6.7-35W MR16 927 36D



Lumen Maintenance Diagram - MAS LED ExpertColor 6.7-35W MR16 927 36D

