

MASTER LEDspot ExpertColor LV

MASTER LED MR16 ExpertColor 6.7-50W 930 60D

MASTER LEDspot LV ExpertColor creates a warm and comfortable ambience for hospitality venues, homes and restaurants. It creates such an ambience with superior lighting that has a customized spectrum, high CRI, and deep dimming feature. The result? A beautiful lighting experience. What's more, the innovative, trimless lens design will suit almost any interior decor with its clean and neat look. In addition, you can take advantage of the full ExpertColor family, which also includes LEDspot MV and LEDspot Par lamps.

Product data

General information	
Cap-Base	GU5.3 [GU5.3]
EU RoHS compliant	Yes
Nominal Lifetime (Nom)	40000 h
Switching Cycle	50000X
Light technical	
Color Code	930 [CCT of 3000K]
Beam Angle (Nom)	60 °
Luminous Flux (Nom)	480 lm
Luminous Intensity (Nom)	440 cd
Color Designation	White (WH)
Correlated Color Temperature (Nom)	3000 K
Luminous Efficacy (rated) (Nom)	71.00 lm/W
Color Consistency	<3
Color Rendering Index (Nom)	97

LLMF At End Of Nominal Lifetime (Nom) 70 %	
Operating and electrical	
Input Frequency	- Hz
Power (Nom)	6.7 W
Lamp Current (Nom)	650 mA
Wattage Equivalent	50 W
Starting Time (Nom)	0.5 s
Warm Up Time to 60% Light (Nom)	0.5 s
Power Factor (Nom)	0.7
Voltage (Nom)	ac electronic 12 V
Temperature	
T-Case Maximum (Nom)	92 °C

MASTER LEDspot ExpertColor LV

Controls and dimming

Dimmable Only with specific dimmers

Mechanical and housing

Bulb Shape MR16 [2inch/50mm]

Approval and application

Suitable For Accent Lighting Yes

Product data

Full product code 871951435715000

Order product name MASTER LED MR16 ExpertColor 6.7-50W 930 60D

EAN/UPC - Product 8719514357150

Order code 929003078608

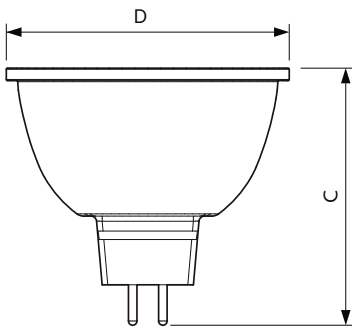
Numerator - Quantity Per Pack 1

Numerator - Packs per outer box 10

Material Nr. (12NC) 929003078608

Net Weight (Piece) 0.052 kg

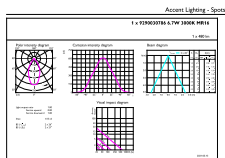
Dimensional drawing



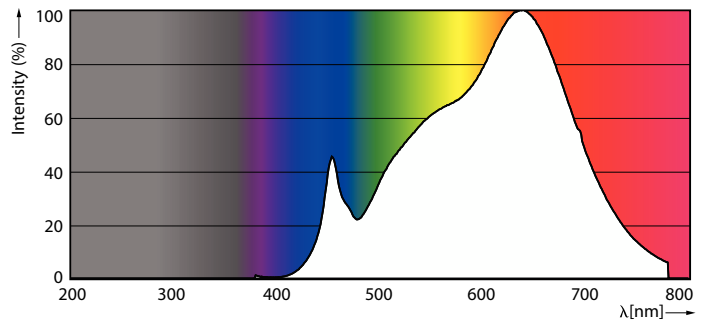
MASTER LED MR16 ExpertColor 6.7-50W 930 60D

Product	D	C
MASTER LED MR16 ExpertColor 6.7-50W 930 60D	50.5 mm	46 mm

Photometric data



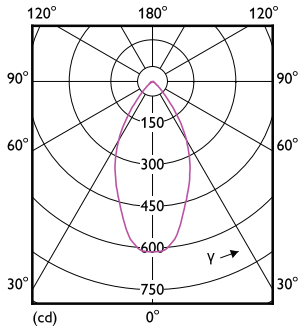
LEDspot MAS IC 6,7W MR16 GU5,3 930 60D-ADL



LEDspots MAS IC 6,7W MR16 GU5,3 930 60D-POC

MASTER LEDspot ExpertColor LV

Photometric data



LEDspots MAS IC 6,7W MR16 GU5,3 930 60D-LDD

Lifetime



Life Expectancy Diagram



Lumen Maintenance Diagram

