



# MASTER LEDspot ExpertColor LV

## MASTER LED MR16 ExpertColor 6.7-50W 940 36D

MASTER LEDspot LV ExpertColor creates a warm and comfortable ambience for hospitality venues, homes and restaurants. It creates such an ambience with superior lighting that has a customized spectrum, high CRI, and deep dimming feature. The result? A beautiful lighting experience. What's more, the innovative, trimless lens design will suit almost any interior decor with its clean and neat look. In addition, you can take advantage of the full ExpertColor family, which also includes LEDspot MV and LEDspot Par lamps.

### Product data

General information		Operating and electrical	
Cap-Base	GU5.3 [ GU5.3]	Input Frequency	- Hz
EU RoHS compliant	Yes	Power (Nom)	6.7 W
Nominal Lifetime (Nom)	40000 h	Lamp Current (Nom)	650 mA
Switching Cycle	50000X	Wattage Equivalent	50 W
<b>Light technical</b>		Starting Time (Nom)	0.5 s
Color Code	940 [ CCT of 4000K]	Warm Up Time to 60% Light (Nom)	0.5 s
Beam Angle (Nom)	36 °	Power Factor (Nom)	0.7
Luminous Flux (Nom)	480 lm	Voltage (Nom)	ac electronic 12 V
Luminous Intensity (Nom)	1450 cd	<b>Temperature</b>	
Color Designation	Cool White (CW)	T-Case Maximum (Nom)	92 °C
Correlated Color Temperature (Nom)	4000 K	<b>Controls and dimming</b>	
Luminous Efficacy (rated) (Nom)	71.00 lm/W	Dimmable	Only with specific dimmers
Color Consistency	<3		
Color Rendering Index (Nom)	97		
LLMF At End Of Nominal Lifetime (Nom)	70 %		

# MASTER LEDspot ExpertColor LV

## Mechanical and housing

Bulb Shape MR16 [ 2inch/50mm]

## Approval and application

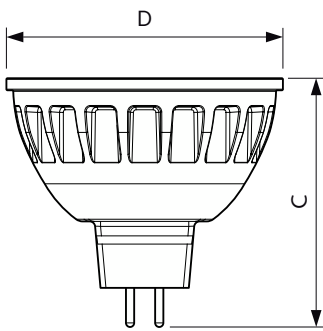
Suitable For Accent Lighting Yes

## Product data

Full product code 692234193712500  
 Order product name MASTER LED MR16 ExpertColor 6.7-50W 940 36D

EAN/UPC - Product	6922341937125
Order code	929003077510
Numerator - Quantity Per Pack	1
Numerator - Packs per outer box	10
Material Nr. (12NC)	929003077510
Net Weight (Piece)	0.052 kg

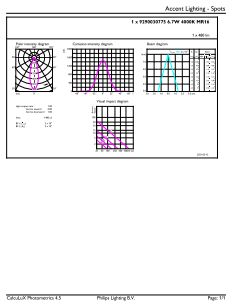
## Dimensional drawing



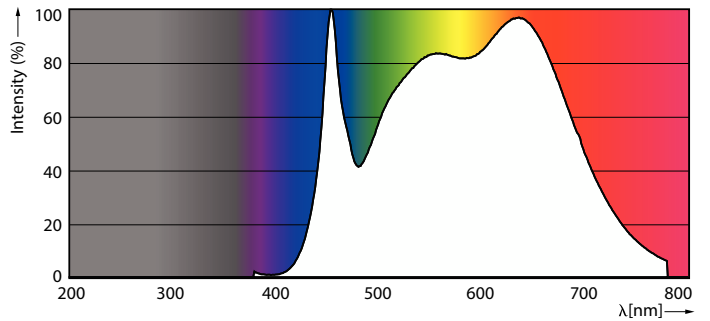
MASTER LED MR16 ExpertColor 6.7-50W 940 36D

Product	D	C
MASTER LED MR16 ExpertColor 6.7-50W 940 36D	50.5 mm	46 mm

## Photometric data



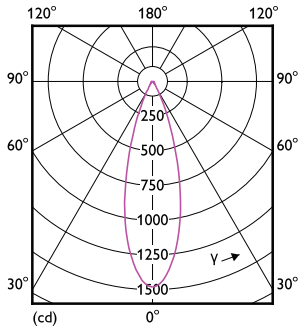
LEDspots GMGC 16,7W MR16 GU5,3 940 36D-ADL



LEDspots MAS IC 6,7W MR16 GU5,3 940 60D-POC

# MASTER LEDspot ExpertColor LV

## Photometric data



LEDspots GMGC 1 6,7W MR16 GU5,3 930 36D-LDD

## Lifetime



Life Expectancy Diagram



Lumen Maintenance Diagram

