



# MASTER LEDspot ExpertColor LV

## MASTER LED MR16 ExpertColor 6.7-50W 927 36D

MASTER LEDspot LV ExpertColor creates a warm and comfortable ambience for hospitality venues, homes and restaurants. It creates such an ambience with superior lighting that has a customized spectrum, high CRI, and deep dimming feature. The result? A beautiful lighting experience. What's more, the innovative, trimless lens design will suit almost any interior decor with its clean and neat look. In addition, you can take advantage of the full ExpertColor family, which also includes LEDspot MV and LEDspot Par lamps.

### Product data

General information		Operating and electrical	
Cap-Base	GU5.3 [ GU5.3]	Input Frequency	- Hz
EU RoHS compliant	Yes	Power (Nom)	6.7 W
Nominal Lifetime (Nom)	40000 h	Lamp Current (Nom)	650 mA
Switching Cycle	50000X	Wattage Equivalent	50 W
<b>Light technical</b>		Starting Time (Nom)	0.5 s
Color Code	927 [ CCT of 2700K]	Warm Up Time to 60% Light (Nom)	0.5 s
Beam Angle (Nom)	36 °	Power Factor (Nom)	0.7
Luminous Flux (Nom)	450 lm	Voltage (Nom)	ac electronic 12 V
Luminous Intensity (Nom)	1350 cd	<b>Temperature</b>	
Color Designation	Warm White (WW)	T-Case Maximum (Nom)	92 °C
Correlated Color Temperature (Nom)	2700 K	<b>Controls and dimming</b>	
Luminous Efficacy (rated) (Nom)	67.00 lm/W	Dimmable	Only with specific dimmers
Color Consistency	<3		
Color Rendering Index (Nom)	97		
LLMF At End Of Nominal Lifetime (Nom)	70 %		

# MASTER LEDspot ExpertColor LV

## Mechanical and housing

Bulb Shape MR16 [ 2inch/50mm]

## Approval and application

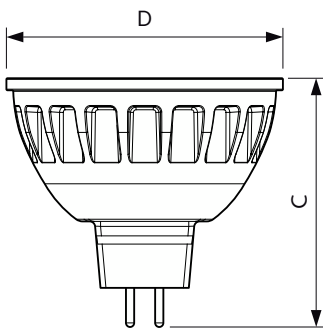
Suitable For Accent Lighting Yes

## Product data

Full product code 871951435679500  
 Order product name MASTER LED MR16 ExpertColor 6.7-50W 927  
 36D

EAN/UPC - Product	8719514356795
Order code	929003077368
Numerator - Quantity Per Pack	1
Numerator - Packs per outer box	10
Material Nr. (12NC)	929003077368
Net Weight (Piece)	0.052 kg

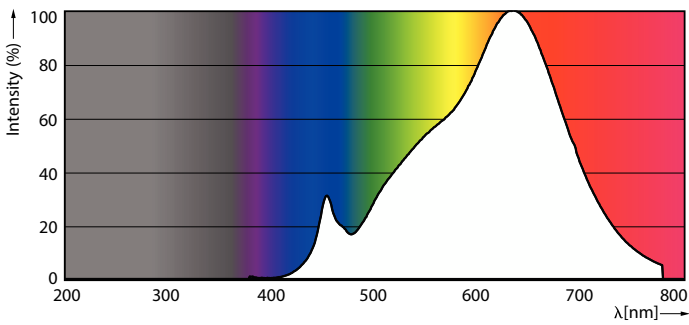
## Dimensional drawing



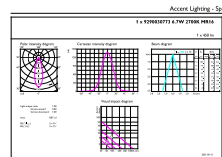
MASTER LED MR16 ExpertColor 6.7-50W 927 36D

Product	D	C
MASTER LED MR16 ExpertColor 6.7-50W 927 36D	50.5 mm	46 mm

## Photometric data



LEDspots MAS IC 6,7W MR16 GU5,3 927 60D-POC

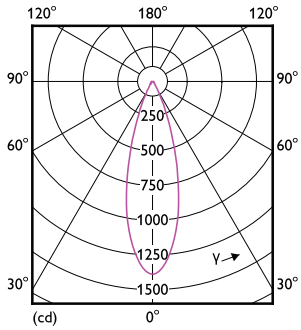


OSRAM Professional LV | Philips Lighting LV | Page 1/1

LEDspots GMGC 1 6,7W MR16 GU5,3 927 36D-ADL

# MASTER LEDspot ExpertColor LV

## Photometric data



LEDspots GMGC 1 6,7W MR16 GU5,3 927 36D-LDD

## Lifetime



Life Expectancy Diagram



Lumen Maintenance Diagram

