



MASTER LEDspot ExpertColor LV

MASTER LED MR16 ExpertColor 6.7-50W 927 36D

MASTER LEDspot LV ExpertColor creates a warm and comfortable ambience for hospitality venues, homes and restaurants. It creates such an ambience with superior lighting that has a customized spectrum, high CRI, and deep dimming feature. The result? A beautiful lighting experience. What's more, the innovative, trimless lens design will suit almost any interior decor with its clean and neat look. In addition, you can take advantage of the full ExpertColor family, which also includes LEDspot MV and LEDspot Par lamps.

Product data

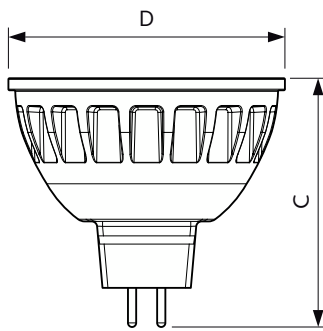
General information		Operating and electrical	
Cap-Base	GU5.3 [GU5.3]	Input Frequency	- Hz
EU RoHS compliant	Yes	Power (Nom)	6.7 W
Nominal Lifetime (Nom)	40000 h	Lamp Current (Nom)	650 mA
Switching Cycle	50000X	Wattage Equivalent	50 W
Light technical		Starting Time (Nom)	0.5 s
Color Code	927 [CCT of 2700K]	Warm Up Time to 60% Light (Nom)	0.5 s
Beam Angle (Nom)	36 °	Power Factor (Nom)	0.7
Luminous Flux (Nom)	450 lm	Voltage (Nom)	ac electronic 12 V
Luminous Intensity (Nom)	1350 cd	Temperature	
Color Designation	Warm White (WW)	T-Case Maximum (Nom)	92 °C
Correlated Color Temperature (Nom)	2700 K	Controls and dimming	
Luminous Efficacy (rated) (Nom)	67.00 lm/W	Dimmable	Only with specific dimmers
Color Consistency	<3		
Color Rendering Index (Nom)	97		
LLMF At End Of Nominal Lifetime (Nom)	70 %		

MASTER LEDspot ExpertColor LV

Mechanical and housing	
Bulb Shape	MR16 [2inch/50mm]
Approval and application	
Suitable For Accent Lighting	Yes
Product data	
Full product code	692234193708800
Order product name	MASTER LED MR16 ExpertColor 6.7-50W 927 36D

EAN/UPC - Product	6922341937088
Order code	929003077310
Numerator - Quantity Per Pack	1
Numerator - Packs per outer box	10
Material Nr. (12NC)	929003077310
Net Weight (Piece)	0.052 kg

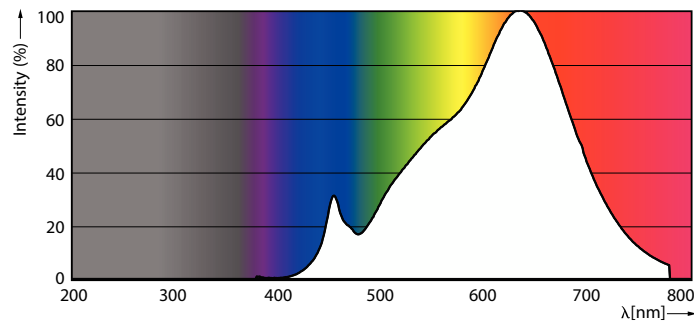
Dimensional drawing



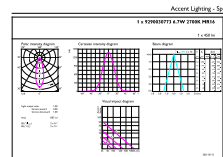
MASTER LED MR16 ExpertColor 6.7-50W 927 36D

Product	D	C
MASTER LED MR16 ExpertColor 6.7-50W 927 36D	50.5 mm	46 mm

Photometric data



LEDspots MAS IC 6,7W MR16 GU5,3 927 60D-POC

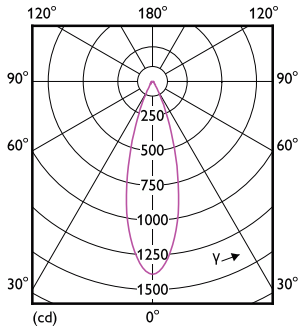


OSRAM Professional LV | Philips Lighting LV | Page 1/1

LEDspots GMGC 1 6,7W MR16 GU5,3 927 36D-ADL

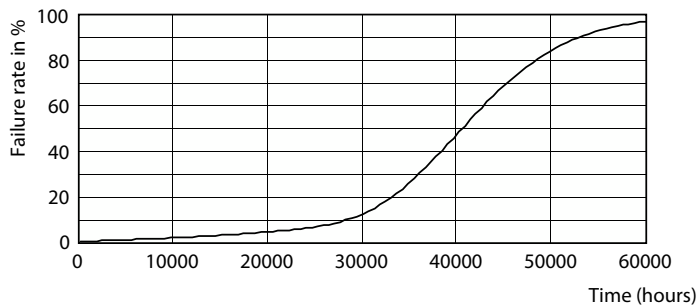
MASTER LEDspot ExpertColor LV

Photometric data

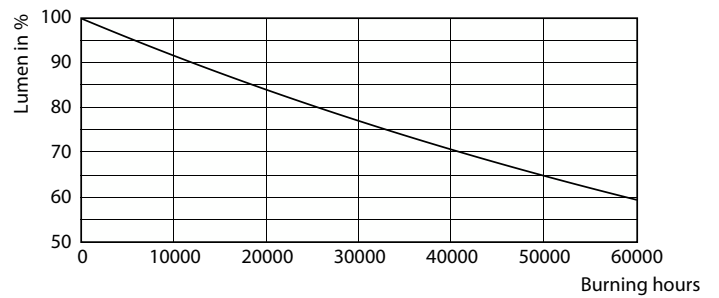


LEDspots GMGC 1 6,7W MR16 GU5,3 927 36D-LDD

Lifetime



Life Expectancy Diagram



Lumen Maintenance Diagram

