



MASTER LEDspot ExpertColor LV

MASTER LED MR16 ExpertColor 6.7-50W 930 24D

MASTER LEDspot LV ExpertColor creates a warm and comfortable ambience for hospitality venues, homes and restaurants. It creates such an ambience with superior lighting that has a customized spectrum, high CRI, and deep dimming feature. The result? A beautiful lighting experience. What's more, the innovative, trimless lens design will suit almost any interior decor with its clean and neat look. In addition, you can take advantage of the full ExpertColor family, which also includes LEDspot MV and LEDspot Par lamps.

Product data

General information	
Cap-Base	GU5.3 [GU5.3]
EU RoHS compliant	Yes
Nominal Lifetime (Nom)	40000 h
Switching Cycle	50000X
Light technical	
Color Code	930 [CCT of 3000K]
Beam Angle (Nom)	24 °
Luminous Flux (Nom)	480 lm
Luminous Intensity (Nom)	2400 cd
Color Designation	White (WH)
Correlated Color Temperature (Nom)	3000 K
Luminous Efficacy (rated) (Nom)	71.00 lm/W
Color Consistency	<3
Color Rendering Index (Nom)	97
LLMF At End Of Nominal Lifetime (Nom)	70 %

Operating and electrical	
Input Frequency	- Hz
Power (Nom)	6.7 W
Lamp Current (Nom)	650 mA
Wattage Equivalent	50 W
Starting Time (Nom)	0.5 s
Warm Up Time to 60% Light (Nom)	0.5 s
Power Factor (Nom)	0.7
Voltage (Nom)	ac electronic 12 V
Temperature	
T-Case Maximum (Nom)	92 °C
Controls and dimming	
Dimmable	Only with specific dimmers

MASTER LEDspot ExpertColor LV

Mechanical and housing

Bulb Shape MR16 [2inch/50mm]

Approval and application

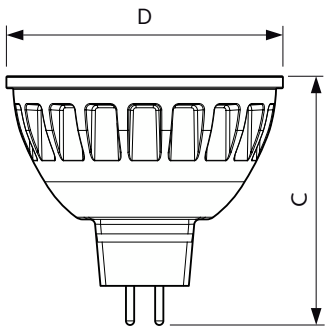
Suitable For Accent Lighting Yes

Product data

Full product code 692234193704000
 Order product name MASTER LED MR16 ExpertColor 6.7-50W 930 24D

EAN/UPC - Product	6922341937040
Order code	929003077110
Numerator - Quantity Per Pack	1
Numerator - Packs per outer box	10
Material Nr. (12NC)	929003077110
Net Weight (Piece)	0.052 kg

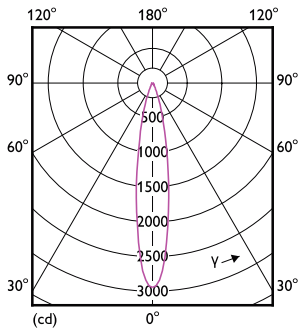
Dimensional drawing



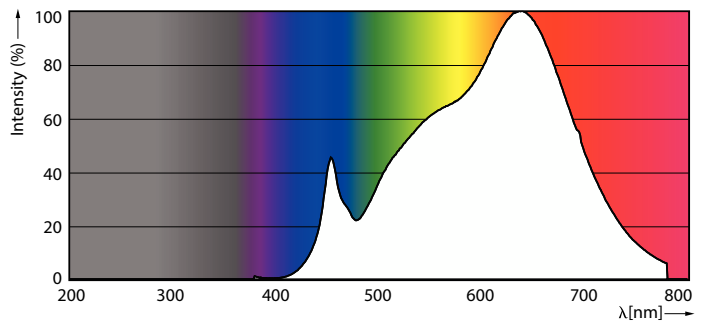
MASTER LED MR16 ExpertColor 6.7-50W 930 24D

Product	D	C
MASTER LED MR16 ExpertColor 6.7-50W 930 24D	50.5 mm	46 mm

Photometric data



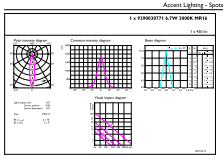
LEDspots GMGC 1 6,7W MR16 GU5,3 930 24D-LDD



LEDspots MAS IC 6,7W MR16 GU5,3 930 60D-POC

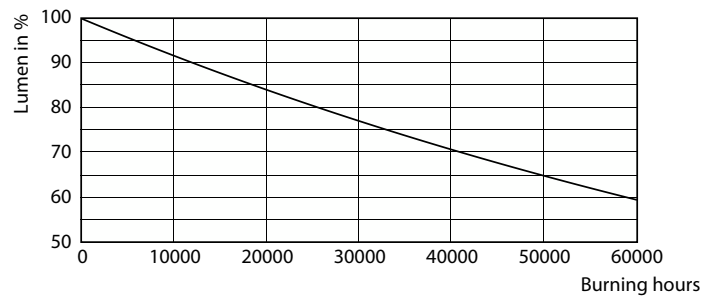
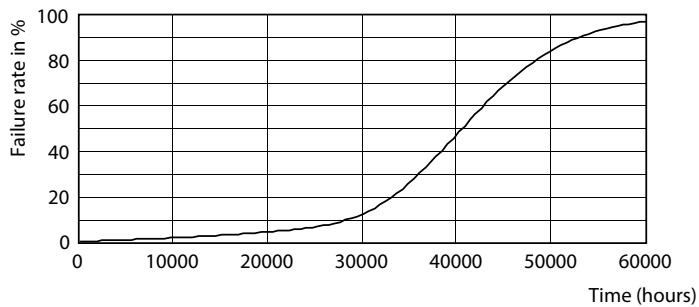
MASTER LEDspot ExpertColor LV

Photometric data



LEDspots GMGC 1 6,7W MR16 GU5,3 930 24D-ADL

Lifetime



Life Expectancy Diagram

Lumen Maintenance Diagram

