



MASTER LEDspot ExpertColor LV

MASTER LED MR16 ExpertColor 6.7-50W 927 24D

MASTER LEDspot LV ExpertColor creates a warm and comfortable ambience for hospitality venues, homes and restaurants. It creates such an ambience with superior lighting that has a customized spectrum, high CRI, and deep dimming feature. The result? A beautiful lighting experience. What's more, the innovative, trimless lens design will suit almost any interior decor with its clean and neat look. In addition, you can take advantage of the full ExpertColor family, which also includes LEDspot MV and LEDspot Par lamps.

Product data

General information		Operating and electrical	
Cap-Base	GU5.3 [GU5.3]	Input Frequency	- Hz
EU RoHS compliant	Yes	Power (Nom)	6.7 W
Nominal Lifetime (Nom)	40000 h	Lamp Current (Nom)	650 mA
Switching Cycle	50000X	Wattage Equivalent	50 W
Light technical		Starting Time (Nom)	0.5 s
Color Code	927 [CCT of 2700K]	Warm Up Time to 60% Light (Nom)	0.5 s
Beam Angle (Nom)	24 °	Power Factor (Nom)	0.7
Luminous Flux (Nom)	450 lm	Voltage (Nom)	ac electronic 12 V
Luminous Intensity (Nom)	2200 cd	Temperature	
Color Designation	Warm White (WW)	T-Case Maximum (Nom)	92 °C
Correlated Color Temperature (Nom)	2700 K	Controls and dimming	
Luminous Efficacy (rated) (Nom)	67.00 lm/W	Dimmable	Only with specific dimmers
Color Consistency	<3		
Color Rendering Index (Nom)	97		
LLMF At End Of Nominal Lifetime (Nom)	70 %		

MASTER LEDspot ExpertColor LV

Mechanical and housing

Bulb Shape MR16 [2inch/50mm]

Approval and application

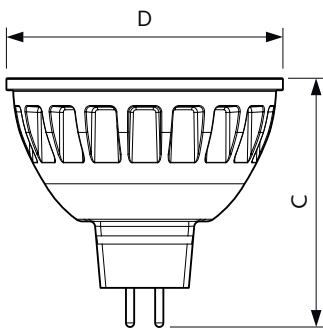
Suitable For Accent Lighting Yes

Product data

Full product code 692234193702600
 Order product name MASTER LED MR16 ExpertColor 6.7-50W 927 24D

EAN/UPC - Product	6922341937026
Order code	929003077010
Numerator - Quantity Per Pack	1
Numerator - Packs per outer box	10
Material Nr. (12NC)	929003077010
Net Weight (Piece)	0.052 kg

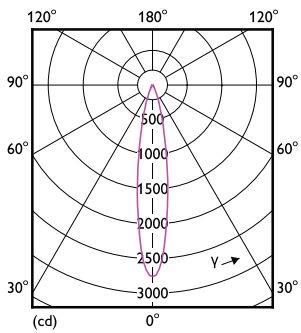
Dimensional drawing



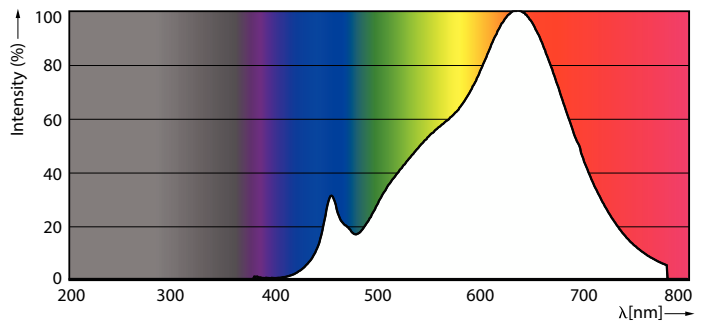
MASTER LED MR16 ExpertColor 6.7-50W 927 24D

Product	D	C
MASTER LED MR16 ExpertColor 6.7-50W 927 24D	50.5 mm	46 mm

Photometric data



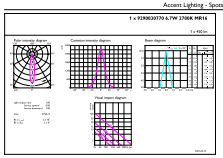
LEDspots GMGC 1 6,7W MR16 GU5,3 927 24D-LDD



LEDspots MAS IC 6,7W MR16 GU5,3 927 60D-POC

MASTER LEDspot ExpertColor LV

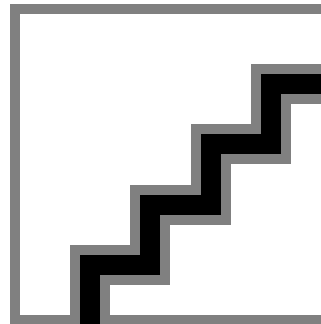
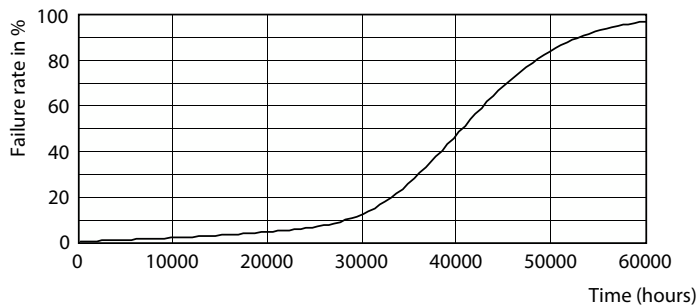
Photometric data



© Philips Lighting N.V. Page 1/1

LEDspots GMGC 1 6,7W MR16 GU5,3 927 24D-ADL

Lifetime



Life Expectancy Diagram

Lumen Maintenance Diagram

