



# LED MR16

## 7MR16/LED/830/F25/DIM 12V 10/1FB

Philips LED MR-16 lamps with single optic technology provide the look and color quality of traditional halogens while using a fraction of the energy. A perfect fit for spot lighting, they are compatible with most existing fixtures with MR16 GU5.3 holders and are designed as a retrofit replacement for halogen or incandescent spots.

### Product data

General information	
Cap-Base	GU5.3 [ GU5.3]
EU RoHS compliant	Yes
Nominal Lifetime (Nom)	25000 h
Switching Cycle	50000X
Light technical	
Color Code	830 [ CCT of 3000K]
Beam Angle (Nom)	25°
Luminous Flux (Nom)	515 lm
Luminous Intensity (Nom)	2500 cd
Color Designation	White (WH)
Correlated Color Temperature (Nom)	3000 K
Luminous Efficacy (rated) (Nom)	73.00 lm/W
Color Consistency	<4
Color Rendering Index (Nom)	80
LLMF At End Of Nominal Lifetime (Nom)	70 %
Operating and electrical	
Input Frequency	- Hz
Power (Nom)	7 W
Lamp Current (Nom)	650 mA

Wattage Equivalent	50 W
Starting Time (Nom)	0.5 s
Warm Up Time to 60% Light (Nom)	0.5 s
Power Factor (Nom)	0.7
Voltage (Nom)	ac electronic 12 V
Temperature	
T-Case Maximum (Nom)	90 °C
Controls and dimming	
Dimmable	Only with specific dimmers
Mechanical and housing	
Bulb Finish	Clear
Bulb Material	Aluminum
Bulb Shape	MR16 [ 2inch/50mm]
Approval and application	
Suitable For Accent Lighting	Yes
Energy Certifications	Energy Star

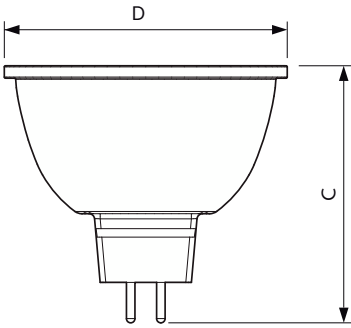
# LED MR16

## Product data

Order product name	7MR16/LED/830/F25/DIM 12V 10/1FB
EAN/UPC - Product	046677573874
Order code	929003076304
Numerator - Quantity Per Pack	1

Numerator - Packs per outer box	10
Material Nr. (12NC)	929003076304
Net Weight (Piece)	0.060 kg

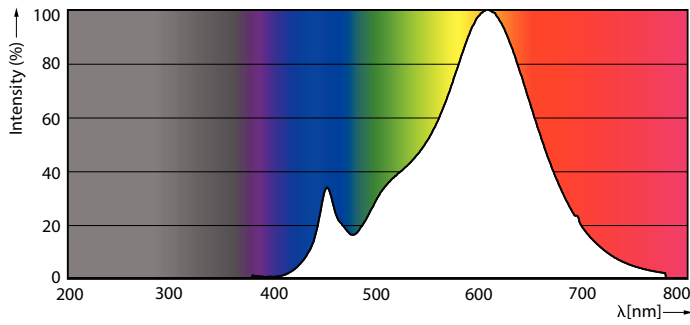
## Dimensional drawing



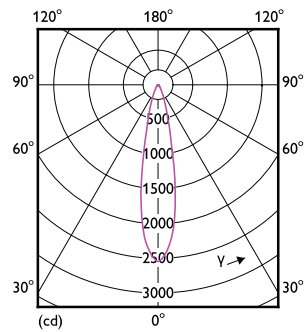
7MR16/LED/830/F25/DIM 12V 10/1FB

Product	D	C
7MR16/LED/830/F25/DIM 12V 10/1FB	50 mm	46.5 mm

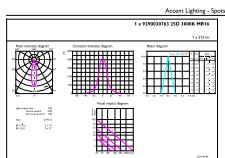
## Photometric data



LEDspots DIM IC 7W MR16 GU5,3 830 25D-POC



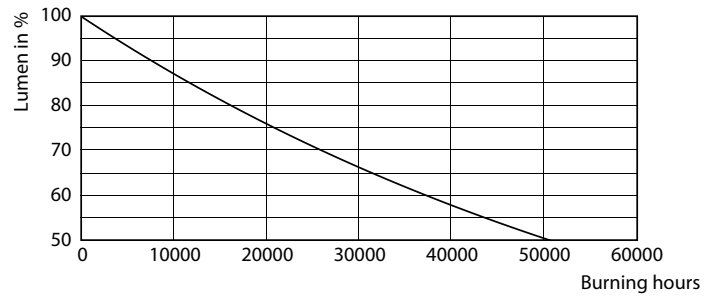
LEDspots DIM IC 7W MR16 GU5,3 827 25D-LDD



LEDspots DIM IC 7W MR16 GU5,3 830 25D-ADL

# LED MR16

## Lifetime



Life Expectancy Diagram

Lumen Maintenance Diagram

