



# MASTER LEDspot LV

## MASTER LED 7.5-50W+ 840 MR16 36D Dim CN

Delivering intense accent beam, MASTER LEDspot LV is an ideal retrofit solution for spot lighting. MASTER LEDspot LV is designed to replace halogen or incandescent spots. It realizes natural colors, enables cozy and comfortable ambience for residential, hospitality and emphasizes the beauty of merchandise in retail. New smaller housing provides perfect fitting with majority of luminaires in a market with a MR16 GU 5.3 holder. It not only employs Philips' patented solution to guarantee the broadest possible compatibility with standard 12V halogen electronic transformers, it also delivers high beam intensity which is equivalent to halogen MR16 spots. The dimming function enables to create the desired atmosphere and it works with broad selection of dimmers. Its high SDCM ensure stricter color consistency, that is maintained over product life. MASTER LEDspot LV delivers huge energy savings and minimizes maintenance cost without any compromise on light quality and lifetime, enabling residential and business owners to achieve a return on their investment within short period time.

### Product data

General information	
Cap-Base	GU5.3 [ GU5.3]
EU RoHS compliant	Yes
Nominal Lifetime (Nom)	40000 h
Switching Cycle	50000X
Light technical	
Color Code	840 [ CCT of 4000K]
Beam Angle (Nom)	36°
Luminous Flux (Nom)	710 lm
Luminous Intensity (Nom)	1800 cd
Color Designation	Cool White (CW)
Correlated Color Temperature (Nom)	4000 K

Luminous Efficacy (rated) (Nom)	94.00 lm/W
Color Consistency	<4
Color Rendering Index (Nom)	80
LLMF At End Of Nominal Lifetime (Nom)	70 %
Operating and electrical	
Input Frequency	- Hz
Power (Nom)	7.5 W
Lamp Current (Nom)	720 mA
Wattage Equivalent	50 W
Starting Time (Nom)	0.5 s
Warm Up Time to 60% Light (Nom)	0.5 s
Power Factor (Nom)	0.7

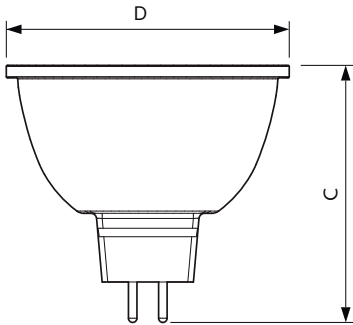
# MASTER LEDspot LV

<b>Voltage (Nom)</b>	ac electronic 12 V
<b>Temperature</b>	
<b>T-Case Maximum (Nom)</b>	93 °C
<b>Controls and dimming</b>	
<b>Dimmable</b>	Only with specific dimmers
<b>Mechanical and housing</b>	
<b>Bulb Shape</b>	MR16 [ 2inch/50mm]
<b>Approval and application</b>	
<b>Suitable For Accent Lighting</b>	Yes

## Product data

<b>Full product code</b>	692234193756900
<b>Order product name</b>	MASTER LED 7.5-50W+ 840 MR16 36D Dim CN
<b>EAN/UPC - Product</b>	6922341937569
<b>Order code</b>	929003072910
<b>Numerator - Quantity Per Pack</b>	1
<b>Numerator - Packs per outer box</b>	10
<b>Material Nr. (12NC)</b>	929003072910
<b>Net Weight (Piece)</b>	0.052 kg

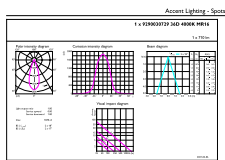
## Dimensional drawing



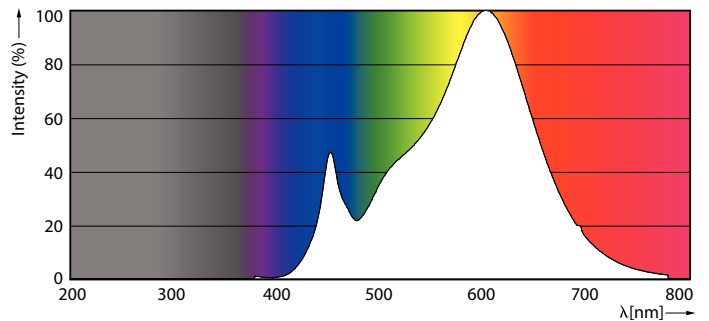
MASTER LED 7.5-50W+ 840 MR16 36D Dim CN

Product	D	C
MASTER LED 7.5-50W+ 840 MR16 36D Dim CN	50 mm	46.5 mm

## Photometric data



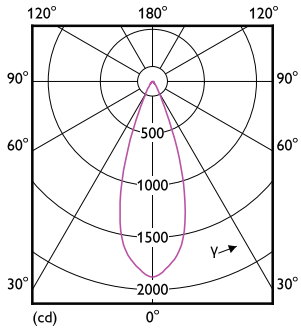
LEDspots DIM IC 8W MR16 GU5,3 840 35D-ADL



LEDspots DIM IC 8W MR16 GU5,3 840 35D-POC

# MASTER LEDspot LV

## Photometric data



LEDspots DIM IC 8W MR16 GU5,3 840 35D-LDD

## Lifetime



LEDspots LED 25K



LEDspots LMP 25K

