



LED MR16

8MR16/LED/827/F35/DIM 12V 10/1FB

Philips LED MR-16 lamps with single optic technology provide the look and color quality of traditional halogens while using a fraction of the energy. A perfect fit for spot lighting, they are compatible with most existing fixtures with MR16 GU5.3 holders and are designed as a retrofit replacement for halogen or incandescent spots.

Product data

General information		Wattage Equivalent	
Cap-Base	GU5.3 [GU5.3]		75 W
EU RoHS compliant	Yes	Starting Time (Nom)	0.5 s
Nominal Lifetime (Nom)	25000 h	Warm Up Time to 60% Light (Nom)	0.5 s
Switching Cycle	50000X	Power Factor (Nom)	0.7
		Voltage (Nom)	ac electronic 12 V
Light technical		Temperature	
Color Code	827 [CCT of 2700K]	T-Case Maximum (Nom)	93 °C
Beam Angle (Nom)	35 °		
Luminous Flux (Nom)	600 lm	Controls and dimming	
Luminous Intensity (Nom)	1700 cd	Dimmable	Only with specific dimmers
Color Designation	Warm White (WW)		
Correlated Color Temperature (Nom)	2700 K	Mechanical and housing	
Luminous Efficacy (rated) (Nom)	75.00 lm/W	Bulb Finish	Clear
Color Consistency	<4	Bulb Material	Aluminum
Color Rendering Index (Nom)	80	Bulb Shape	MR16 [2inch/50mm]
LLMF At End Of Nominal Lifetime (Nom)	70 %		
Operating and electrical		Approval and application	
Input Frequency	- Hz	Suitable For Accent Lighting	Yes
Power (Nom)	8 W	Energy Certifications	Energy Star
Lamp Current (Nom)	720 mA		

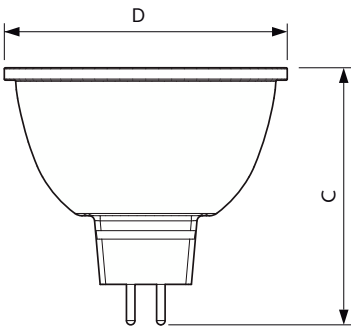
LED MR16

Product data

Order product name	8MR16/LED/827/F35/DIM 12V 10/1FB
EAN/UPC - Product	046677573935
Order code	929003072704
Numerator - Quantity Per Pack	1

Numerator - Packs per outer box	10
Material Nr. (12NC)	929003072704
Net Weight (Piece)	0.060 kg

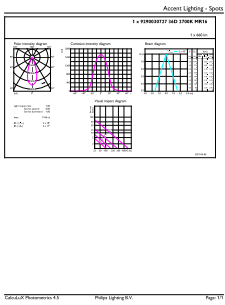
Dimensional drawing



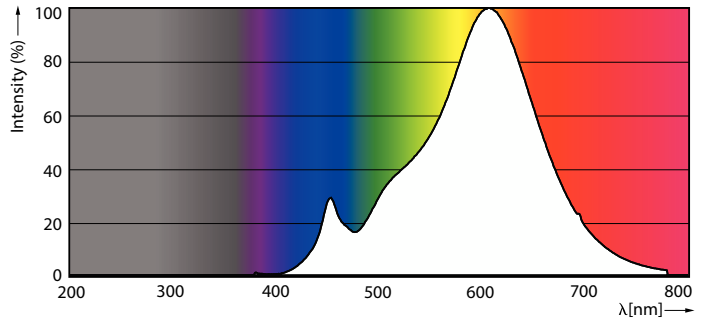
8MR16/LED/827/F35/DIM 12V 10/1FB

Product	D	C
8MR16/LED/827/F35/DIM 12V 10/1FB	50 mm	46.5 mm

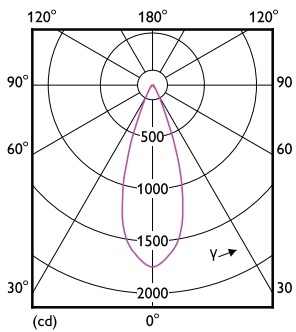
Photometric data



LEDspots DIM IC 8W MR16 GU5,3 827 35D-ADL



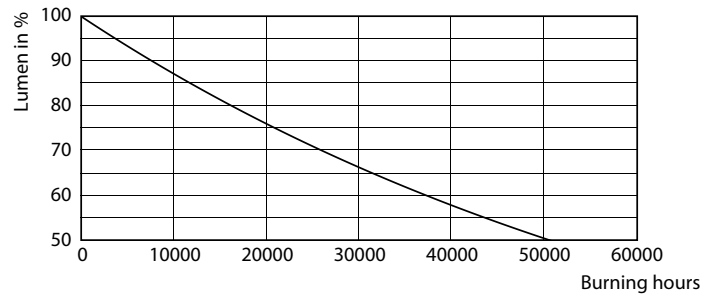
LEDspots DIM IC 8W MR16 GU5,3 827 25D-POC



LEDspots DIM IC 8W MR16 GU5,3 827 35D-LDD

LED MR16

Lifetime



Life Expectancy Diagram

Lumen Maintenance Diagram

