



MASTER LEDspot LV

MASTER LED 7.5-50W+ 827 MR16 24D Dim CN

Delivering intense accent beam, MASTER LEDspot LV is an ideal retrofit solution for spot lighting. MASTER LEDspot LV is designed to replace halogen or incandescent spots. It realizes natural colors, enables cozy and comfortable ambience for residential, hospitality and emphasizes the beauty of merchandise in retail. New smaller housing provides perfect fitting with majority of luminaires in a market with a MR16 GU 5.3 holder. It not only employs Philips' patented solution to guarantee the broadest possible compatibility with standard 12V halogen electronic transformers, it also delivers high beam intensity which is equivalent to halogen MR16 spots. The dimming function enables to create the desired atmosphere and it works with broad selection of dimmers. Its high SDCM ensure stricter color consistency, that is maintained over product life. MASTER LEDspot LV delivers huge energy savings and minimizes maintenance cost without any compromise on light quality and lifetime, enabling residential and business owners to achieve a return on their investment within short period time.

Product data

| General information | | Luminous Efficacy (rated) (Nom) | |
|------------------------------------|---------------------|---------------------------------------|------------|
| Cap-Base | GU5.3 [GU5.3] | | 88.00 lm/W |
| EU RoHS compliant | Yes | Color Consistency | <4 |
| Nominal Lifetime (Nom) | 40000 h | Color Rendering Index (Nom) | 80 |
| Switching Cycle | 50000X | LLMF At End Of Nominal Lifetime (Nom) | 70 % |
| Light technical | | Operating and electrical | |
| Color Code | 827 [CCT of 2700K] | Input Frequency | - Hz |
| Beam Angle (Nom) | 24 ° | Power (Nom) | 7.5 W |
| Luminous Flux (Nom) | 660 lm | Lamp Current (Nom) | 720 mA |
| Luminous Intensity (Nom) | 3100 cd | Wattage Equivalent | 50 W |
| Color Designation | Warm White (WW) | Starting Time (Nom) | 0.5 s |
| Correlated Color Temperature (Nom) | 2700 K | Warm Up Time to 60% Light (Nom) | 0.5 s |
| | | Power Factor (Nom) | 0.7 |

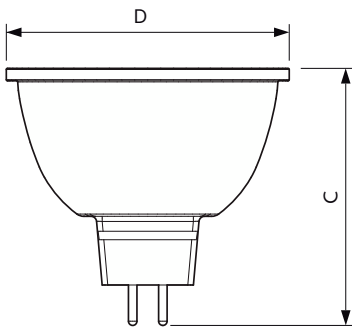
MASTER LEDspot LV

| | |
|-------------------------------------|----------------------------|
| Voltage (Nom) | ac electronic 12 V |
| Temperature | |
| T-Case Maximum (Nom) | 93 °C |
| Controls and dimming | |
| Dimmable | Only with specific dimmers |
| Mechanical and housing | |
| Bulb Shape | MR16 [2inch/50mm] |
| Approval and application | |
| Suitable For Accent Lighting | Yes |

Product data

| | |
|--|---|
| Full product code | 692234193736100 |
| Order product name | MASTER LED 7.5-50W+ 827 MR16 24D Dim CN |
| EAN/UPC - Product | 6922341937361 |
| Order code | 929003072510 |
| Numerator - Quantity Per Pack | 1 |
| Numerator - Packs per outer box | 10 |
| Material Nr. (12NC) | 929003072510 |
| Net Weight (Piece) | 0.052 kg |

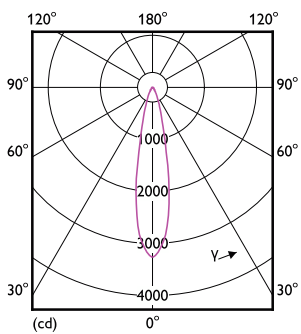
Dimensional drawing



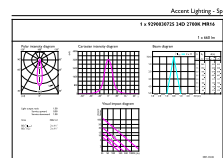
MASTER LED 7.5-50W+ 827 MR16 24D Dim CN

| Product | D | C |
|---|-------|---------|
| MASTER LED 7.5-50W+ 827 MR16 24D Dim CN | 50 mm | 46.5 mm |

Photometric data



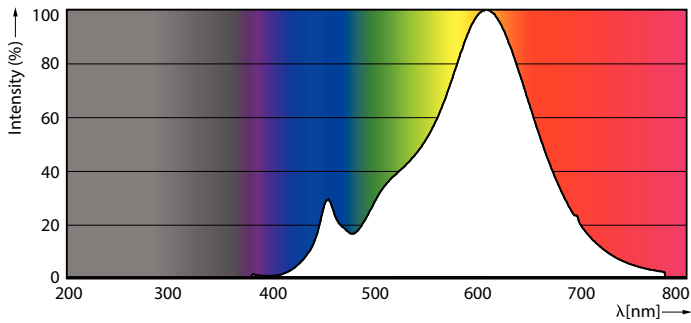
LEDspots DIM IC 8W MR16 GU5,3 827 25D-LDD



LEDspots DIM IC 8W MR16 GU5,3 827 25D-ADL

MASTER LEDspot LV

Photometric data



LEDspots DIM IC 8W MR16 GU5,3 827 25D-POC

Lifetime



LEDspots LED 25K



LEDspots LMP 25K

