



MASTER LEDspot LV

MASTER LED 6.5-50W 930 MR16 36D Dim CN

Delivering intense accent beam, MASTER LEDspot LV is an ideal retrofit solution for spot lighting. MASTER LEDspot LV is designed to replace halogen or incandescent spots. It realizes natural colors, enables cozy and comfortable ambience for residential, hospitality and emphasizes the beauty of merchandise in retail. New smaller housing provides perfect fitting with majority of luminaires in a market with a MR16 GU 5.3 holder. It not only employs Philips' patented solution to guarantee the broadest possible compatibility with standard 12V halogen electronic transformers, it also delivers high beam intensity which is equivalent to halogen MR16 spots. The dimming function enables to create the desired atmosphere and it works with broad selection of dimmers. Its high SDCM ensure stricter color consistency, that is maintained over product life. MASTER LEDspot LV delivers huge energy savings and minimizes maintenance cost without any compromise on light quality and lifetime, enabling residential and business owners to achieve a return on their investment within short period time.

Product data

General information	
Cap-Base	GU5.3 [GU5.3]
EU RoHS compliant	Yes
Nominal Lifetime (Nom)	40000 h
Switching Cycle	50000X
Light technical	
Color Code	930 [CCT of 3000K]
Beam Angle (Nom)	36 °
Luminous Flux (Nom)	500 lm
Luminous Intensity (Nom)	1600 cd
Color Designation	White (WH)
Correlated Color Temperature (Nom)	3000 K

Luminous Efficacy (rated) (Nom)	76.00 lm/W
Color Consistency	<4
Color Rendering Index (Nom)	90
LLMF At End Of Nominal Lifetime (Nom)	70 %
Operating and electrical	
Input Frequency	- Hz
Power (Nom)	6.5 W
Lamp Current (Nom)	650 mA
Wattage Equivalent	50 W
Starting Time (Nom)	0.5 s
Warm Up Time to 60% Light (Nom)	0.5 s
Power Factor (Nom)	0.7

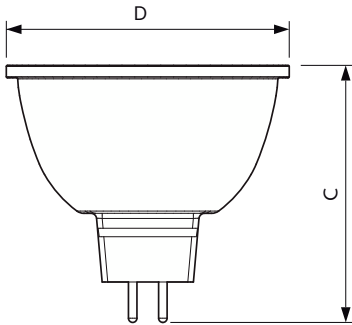
MASTER LEDspot LV

Voltage (Nom)	ac electronic 12 V
Temperature	
T-Case Maximum (Nom)	90 °C
Controls and dimming	
Dimmable	Only with specific dimmers
Mechanical and housing	
Bulb Shape	MR16 [2inch/50mm]
Approval and application	
Suitable For Accent Lighting	Yes

Product data

Full product code	692234193732300
Order product name	MASTER LED 6.5-50W 930 MR16 36D Dim CN
EAN/UPC - Product	6922341937323
Order code	929003072310
Numerator - Quantity Per Pack	1
Numerator - Packs per outer box	10
Material Nr. (12NC)	929003072310
Net Weight (Piece)	0.052 kg

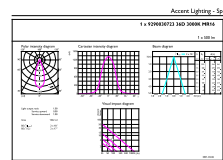
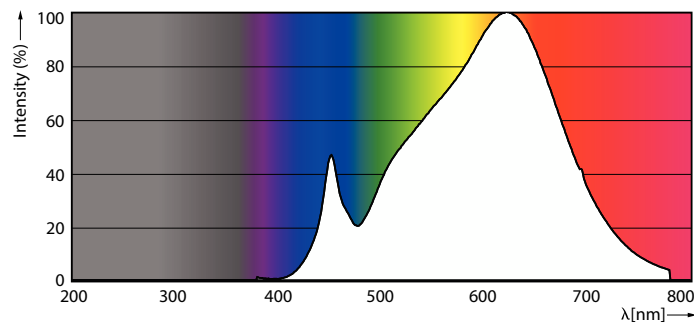
Dimensional drawing



MASTER LED 6.5-50W 930 MR16 36D Dim CN

Product	D	C
MASTER LED 6.5-50W 930 MR16 36D Dim CN	50 mm	46.5 mm

Photometric data



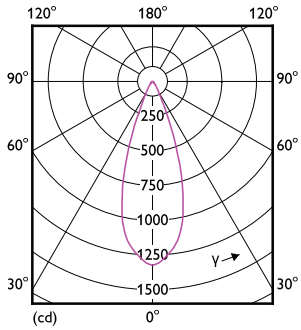
GMGC 1 6,5W MR16 GU5,3 930 36D-ADL

LEDspots GMGC 1 6,5W MR16 GU5,3 930 10D-POC

LEDspots GMGC 1 6,5W MR16 GU5,3 930 36D-ADL

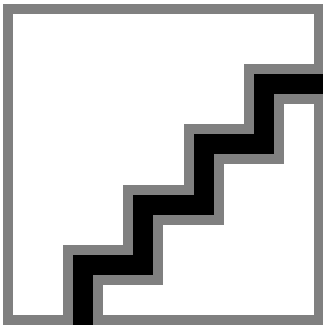
MASTER LEDspot LV

Photometric data

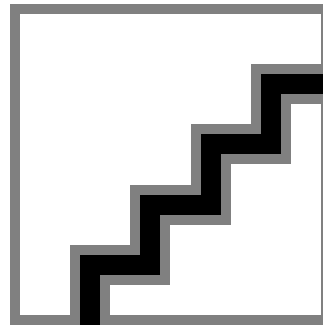


LEDspots GMGC 1 6,5W MR16 GU5,3 930 36D-LDD

Lifetime



Life Expectancy Diagram



Lumen Maintenance Diagram

