



MASTER LEDspot LV



MAS LEDspotLV D 7.5-50W 940 MR16 24D

Delivering intense accent beam, MASTER LEDspot LV is an ideal retrofit solution for spot lighting. MASTER LEDspot LV is designed to replace halogen or incandescent spots. It realizes natural colors, enables cozy and comfortable ambience for residential, hospitality and emphasizes the beauty of merchandise in retail. New smaller housing provides perfect fitting with majority of luminaires in a market with a MR16 GU 5.3 holder. It not only employs Philips' patented solution to guarantee the broadest possible compatibility with standard 12V halogen electronic transformers, it also delivers high beam intensity which is equivalent to halogen MR16 spots. The dimming function enables to create the desired atmosphere and it works with broad selection of dimmers. Its high SDCM ensure stricter color consistency, that is maintained over product life. MASTER LEDspot LV delivers huge energy savings and minimizes maintenance cost without any compromise on light quality and lifetime, enabling residential and business owners to achieve a return on their investment within short period time.

Product data

| General information | | Operating and electrical | |
|----------------------------|---------------------|---------------------------------------|-----------------|
| Cap-Base | GU5.3 [GU5.3] | Luminous Intensity (Nom) | 4400 cd |
| CE mark | Yes | Color Designation | Cool White (CW) |
| EU RoHS compliant | Yes | Correlated Color Temperature (Nom) | 4000 K |
| Nominal Lifetime (Nom) | 40000 h | Luminous Efficacy (rated) (Nom) | 89.00 lm/W |
| Switching Cycle | 50000 | Color Consistency | <4 |
| Flux measurement reference | Narrow Cone | Color Rendering Index (Nom) | 90 |
| Tier | MASTER | LLMF At End Of Nominal Lifetime (Nom) | 70 % |
| | | Luminous Flux in 90° Cone (Rated) | 670 lm |
| Light technical | | | |
| Color Code | 940 [CCT of 4000K] | Input Frequency | - Hz |
| Beam Angle (Nom) | 24 ° | Power (Nom) | 7.5 W |
| Luminous Flux (Nom) | 670 lm | Lamp Current (Nom) | 720 mA |

MASTER LEDspot LV

| | |
|---------------------------------|--------------------|
| Wattage Equivalent | 50 W |
| Starting Time (Nom) | 0.5 s |
| Warm Up Time to 60% Light (Nom) | 0.5 s |
| Power Factor (Nom) | 0.7 |
| Voltage (Nom) | ac electronic 12 V |

Temperature

| | |
|----------------------|-------|
| T-Case Maximum (Nom) | 90 °C |
|----------------------|-------|

Controls and dimming

| | |
|----------|----------------------------|
| Dimmable | Only with specific dimmers |
|----------|----------------------------|

Mechanical and housing

| | |
|------------|--------------------|
| Bulb Shape | MR16 [2inch/50mm] |
|------------|--------------------|

Approval and application

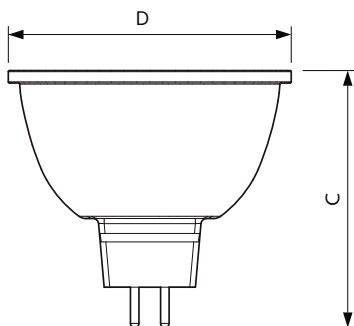
| | |
|-------------------------|---|
| Energy Efficiency Class | F |
|-------------------------|---|

| | |
|-------------------------------|--------|
| Suitable For Accent Lighting | Yes |
| Energy Consumption kWh/1000 h | 8 kWh |
| EPREL Registration Number | 465195 |

Product data

| | |
|---------------------------------|--------------------------------------|
| Full product code | 871951430750600 |
| Order product name | MAS LEDspotLV D 7.5-50W 940 MR16 24D |
| EAN/UPC - Product | 8719514307506 |
| Order code | 929002492102 |
| Numerator - Quantity Per Pack | 1 |
| Numerator - Packs per outer box | 10 |
| Material Nr. (12NC) | 929002492102 |
| Net Weight (Piece) | 0.045 kg |

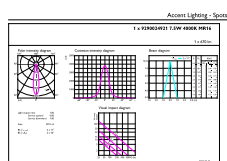
Dimensional drawing



MAS LEDspotLV D 7.5-50W 940 MR16 24D

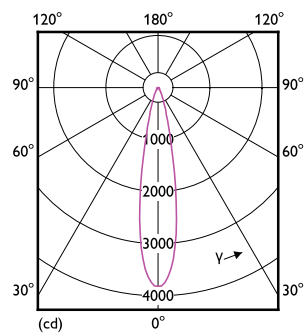
| Product | D | C |
|--------------------------------------|-------|---------|
| MAS LEDspotLV D 7.5-50W 940 MR16 24D | 50 mm | 45.5 mm |

Photometric data



Product Information 11 Page Lighting 01 Page 01

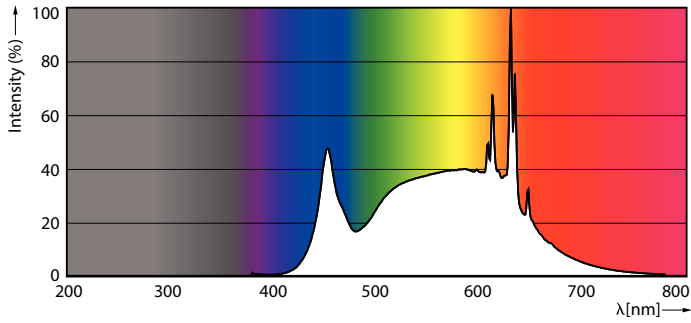
LEDspots MAS 7,5W MR16 GU5,3 940 24D-ADL



LEDspots MAS 7,5W MR16 GU5,3 940 24D-LDD

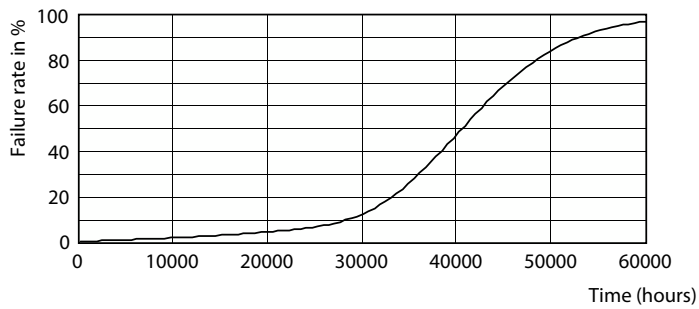
MASTER LEDspot LV

Photometric data

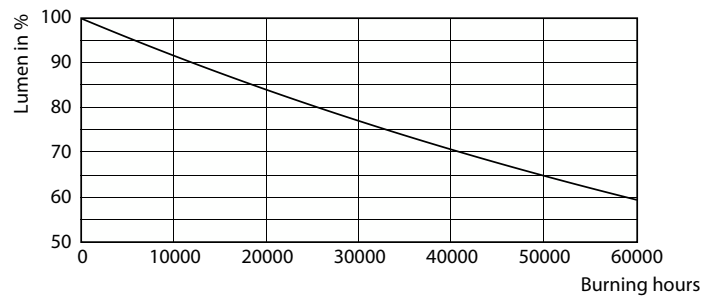


LEDspots MAS 7,5W MR16 GU5,3 940 24D

Lifetime



Life Expectancy Diagram



Lumen Maintenance Diagram

