



A-Shape LED

14A19/LED/827/FR/P/ND 4/2FB

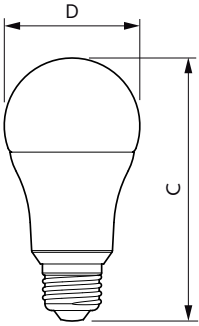
Philips A-shape Dimmable LED lamps are the smart LED alternative to standard incandescents. The unique lamp design provides omi-directional light with excellent dimming performance.

Product data

General information		Power Factor (Nom)	
Cap-Base	E26 [Single Contact Medium Screw]		0.5
EU RoHS compliant	Yes	Voltage (Nom)	120 V
Nominal Lifetime (Nom)	11000 h	Temperature	
Switching Cycle	50000X	T-Case Maximum (Nom)	95 °C
Technical Type	14-100W	Controls and dimming	
Light technical		Dimmable	No
Color Code	827 [CCT of 2700K]	Mechanical and housing	
Luminous Flux (Nom)	1500 lm	Bulb Finish	Frosted
Color Designation	Warm White (WW)	Bulb Shape	A19 (A19)
Correlated Color Temperature (Nom)	2700 K	Approval and application	
Luminous Efficacy (rated) (Nom)	107.00 lm/W	Energy Consumption kWh/1000 h	14 kWh
Color Consistency	<6	Product data	
Color Rendering Index (Nom)	80	Order product name	14A19/LED/827/FR/P/ND 4/2FB
LLMF At End Of Nominal Lifetime (Nom)	70 %	EAN/UPC - Product	50046677461978
Operating and electrical		Order code	929002311715
Input Frequency	60 Hz	Numerator - Quantity Per Pack	1
Power (Nom)	14 W	Numerator - Packs per outer box	4
Lamp Current (Nom)	255 mA	Material Nr. (12NC)	929002311715
Wattage Equivalent	100 W	Net Weight (Piece)	0.042 kg
Starting Time (Nom)	0.5 s		
Warm Up Time to 60% Light (Nom)	0.5 s		

A-Shape LED

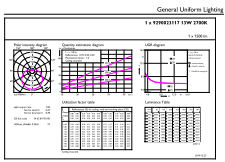
Dimensional drawing



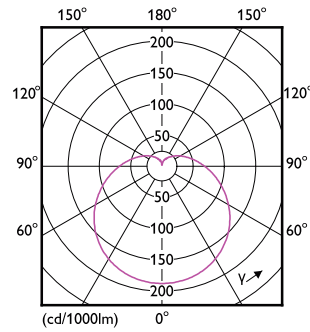
14A19/LED/827/FR/P/ND 4/2FB

Product	D	C
14A19/LED/827/FR/P/ND 4/2FB	60 mm	117 mm

Photometric data

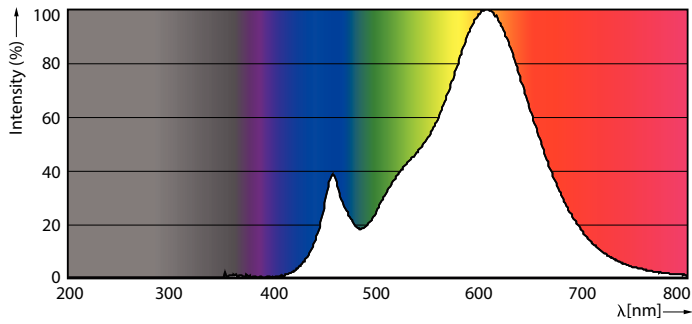


Global Illuminance Co. | Philips Lighting B.V. | Page 11



LEDbulb 14W E26 A9 827 FR

LEDbulb E26 A9 FR 1



LEDbulb 14W E26 A9 827 FR

A-Shape LED

Lifetime



Life Expectancy Diagram

Lumen Maintenance Diagram

