



# MASTER LEDspot LV AR111

## MAS LED SpotLV 20-100W 940 AR111 40D

With its new perfect-fit design, the Master LEDspot LV AR111 now works with most of G53 luminaires as a true retrofit solution. The lamp creates a brilliant visual effect for retail and hospitality applications such as shops, showrooms and galleries. The high quality light brings out the true colors in merchandise and emphasizes its beauty. It also lasts long, with a strong lumen and color maintenance. The beautifully designed lamp offers a well-defined beam with a multitude of beam angles to suit various applications. Not only does it employ the Philips patented solution to ensure it is compatible with a broad selection of standard 12V halogen electronic transformers, it also delivers high beam intensity which equivalent to halogen AR111 spots of 50W, 75W or 100W.

### Product data

General information		Color Consistency	
Cap-Base	G53 [ G53]	Color Rendering Index (Nom)	91
EU RoHS compliant	Yes	LLMF At End Of Nominal Lifetime (Nom)	70 %
Nominal Lifetime (Nom)	25000 h	<b>Operating and electrical</b>	
Switching Cycle	50000X	Input Frequency	- Hz
Technical Type	20-100W	Power (Nom)	20 W
<b>Light technical</b>		Lamp Current (Nom)	2400 mA
Color Code	940 [ CCT of 4000K]	Wattage Equivalent	100 W
Beam Angle (Nom)	40 °	Starting Time (Nom)	0.5 s
Luminous Flux (Nom)	1350 lm	Warm Up Time to 60% Light (Nom)	0.5 s
Luminous Intensity (Nom)	2200 cd	Power Factor (Nom)	0.7
Color Designation	Cool White (CW)	Voltage (Nom)	ac electronic 12 V
Correlated Color Temperature (Nom)	4000 K		
Luminous Efficacy (rated) (Nom)	67.00 lm/W		

# MASTER LEDspot LV AR111

## Temperature

T-Case Maximum (Nom)	80 °C
----------------------	-------

## Controls and dimming

Dimmable	Yes
----------	-----

## Mechanical and housing

Bulb Shape	AR111
------------	-------

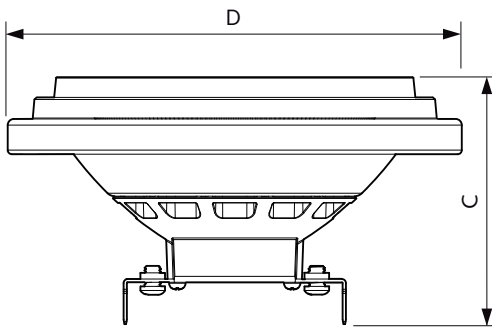
## Approval and application

Suitable For Accent Lighting	Yes
Energy Consumption kWh/1000 h	22 kWh

## Product data

Full product code	871869969081600
Order product name	MAS LED SpotLV 20-100W 940 AR111 40D
EAN/UPC - Product	8718699690816
Order code	929002240308
Numerator - Quantity Per Pack	1
Numerator - Packs per outer box	6
Material Nr. (12NC)	929002240308
Net Weight (Piece)	0.160 kg

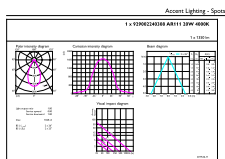
## Dimensional drawing



MAS LED SpotLV 20-100W 940 AR111 40D

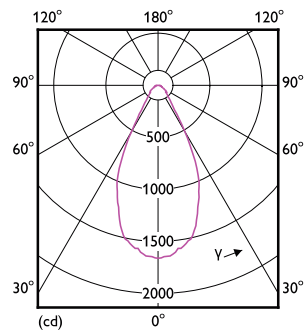
Product	D	C
MAS LED SpotLV 20-100W 940 AR111 40D	111 mm	62 mm

## Photometric data



Calculations: 1000 mm, 1500 mm, 2000 mm  
 Page 11/11

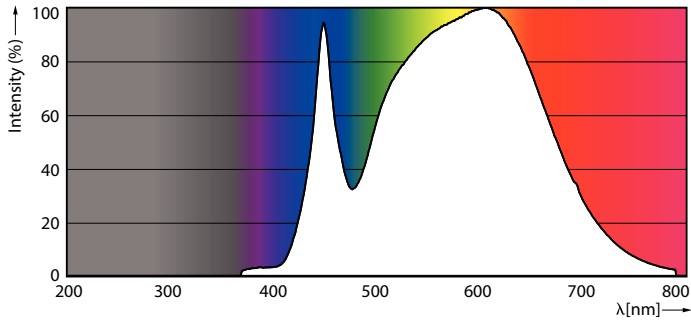
LEDspots 20W AR111 G53 940 40D-ADL



LEDspots 20W AR111 G53 940 40D-LDD

# MASTER LEDspot LV AR111

## Photometric data



LEDspots 20W AR111 G53 940 12D-POC

## Lifetime



LEDspots LED 25K



LEDspots LMP 25K

