



# MASTER LEDspot LV AR111

## MAS LED SpotLV 20-100W 927 AR111 40D

With its new perfect-fit design, the Master LEDspot LV AR111 now works with most of G53 luminaires as a true retrofit solution. The lamp creates a brilliant visual effect for retail and hospitality applications such as shops, showrooms and galleries. The high quality light brings out the true colors in merchandise and emphasizes its beauty. It also lasts long, with a strong lumen and color maintenance. The beautifully designed lamp offers a well-defined beam with a multitude of beam angles to suit various applications. Not only does it employ the Philips patented solution to ensure it is compatible with a broad selection of standard 12V halogen electronic transformers, it also delivers high beam intensity which equivalent to halogen AR111 spots of 50W, 75W or 100W.

### Product data

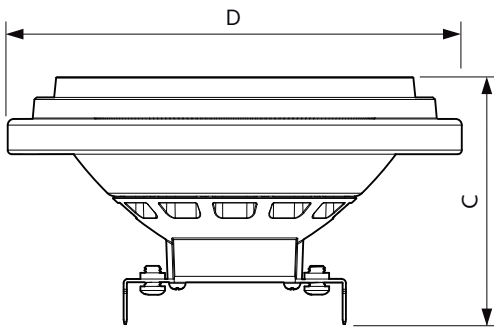
General information		Color Consistency	
Cap-Base	G53 [ G53]	Color Rendering Index (Nom)	91
EU RoHS compliant	Yes	LLMF At End Of Nominal Lifetime (Nom)	70 %
Nominal Lifetime (Nom)	25000 h	<b>Operating and electrical</b>	
Switching Cycle	50000X	Input Frequency	- Hz
Technical Type	20-100W	Power (Nom)	20 W
<b>Light technical</b>		Lamp Current (Nom)	2400 mA
Color Code	927	Wattage Equivalent	100 W
Beam Angle (Nom)	40 °	Starting Time (Nom)	0.5 s
Luminous Flux (Nom)	1200 lm	Warm Up Time to 60% Light (Nom)	0.5 s
Luminous Intensity (Nom)	2000 cd	Power Factor (Nom)	0.7
Color Designation	Warm White (WW)	Voltage (Nom)	ac electronic 12 V
Correlated Color Temperature (Nom)	2700 K		
Luminous Efficacy (rated) (Nom)	60.00 lm/W		

# MASTER LEDspot LV AR111

Temperature	
T-Ambient (Max)	45 °C
T-Ambient (Min)	-20 °C
T-Case Maximum (Nom)	80 °C
Controls and dimming	
Dimmable	Yes
Mechanical and housing	
Bulb Shape	AR111
Approval and application	
Suitable For Accent Lighting	Yes

Energy Consumption kWh/1000 h	22 kWh
Product data	
Full product code	871869969077900
Order product name	MAS LED SpotLV 20-100W 927 AR111 40D
EAN/UPC - Product	8718699690779
Order code	929002240108
Numerator - Quantity Per Pack	1
Numerator - Packs per outer box	6
Material Nr. (12NC)	929002240108
Net Weight (Piece)	0.160 kg

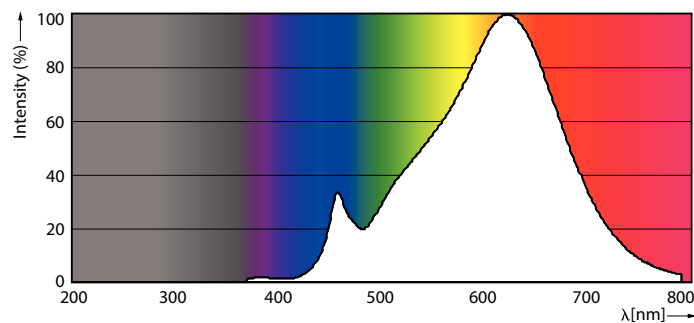
## Dimensional drawing



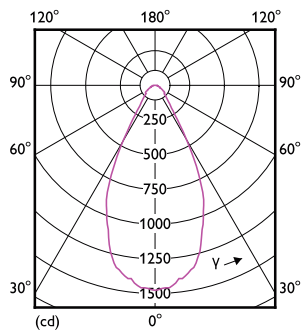
MAS LED SpotLV 20-100W 927 AR111 40D

Product	D	C
MAS LED SpotLV 20-100W 927 AR111 40D	111 mm	62 mm

## Photometric data



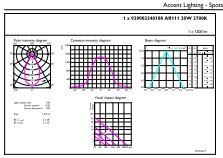
LEDspots 20W AR111 G53 927



LEDspots 20W AR111 G53 927 40D

# MASTER LEDspot LV AR111

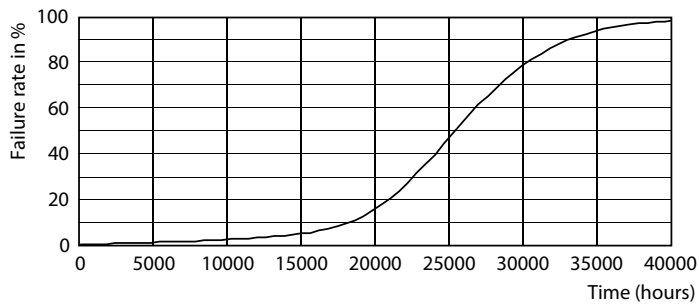
## Photometric data



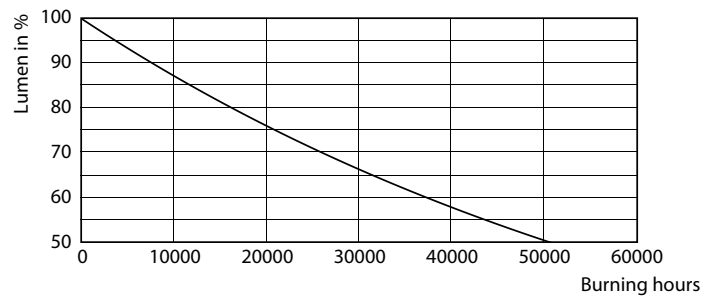
© 2022 Philips Lighting B.V. All rights reserved. Philips Lighting B.V. Page 11

### LEDspots 20W AR111 G53 927 40D

## Lifetime



### LEDspots LED 25K



### LEDspots LMP 25K

