



MASTER LEDspot LV AR111

MAS LED SpotLV 20-100W 930 AR111 24D

With its new perfect-fit design, the Master LEDspot LV AR111 now works with most of G53 luminaires as a true retrofit solution. The lamp creates a brilliant visual effect for retail and hospitality applications such as shops, showrooms and galleries. The high quality light brings out the true colors in merchandise and emphasizes its beauty. It also lasts long, with a strong lumen and color maintenance. The beautifully designed lamp offers a well-defined beam with a multitude of beam angles to suit various applications. Not only does it employ the Philips patented solution to ensure it is compatible with a broad selection of standard 12V halogen electronic transformers, it also delivers high beam intensity which equivalent to halogen AR111 spots of 50W, 75W or 100W.

Product data

General information		Color Consistency	
Cap-Base	G53 [G53]	Color Rendering Index (Nom)	91
EU RoHS compliant	Yes	LLMF At End Of Nominal Lifetime (Nom)	70 %
Nominal Lifetime (Nom)	25000 h	Operating and electrical	
Switching Cycle	50000X	Input Frequency	- Hz
Technical Type	20-100W	Power (Nom)	20 W
Light technical		Lamp Current (Nom)	2400 mA
Color Code	930 [CCT of 3000K]	Wattage Equivalent	100 W
Beam Angle (Nom)	24 °	Starting Time (Nom)	0.5 s
Luminous Flux (Nom)	1250 lm	Warm Up Time to 60% Light (Nom)	0.5 s
Luminous Intensity (Nom)	4000 cd	Power Factor (Nom)	0.7
Color Designation	White (WH)	Voltage (Nom)	ac electronic 12 V
Correlated Color Temperature (Nom)	3000 K		
Luminous Efficacy (rated) (Nom)	62.00 lm/W		

MASTER LEDspot LV AR111

Temperature

T-Case Maximum (Nom)	80 °C
----------------------	-------

Controls and dimming

Dimmable	Yes
----------	-----

Mechanical and housing

Bulb Shape	AR111
------------	-------

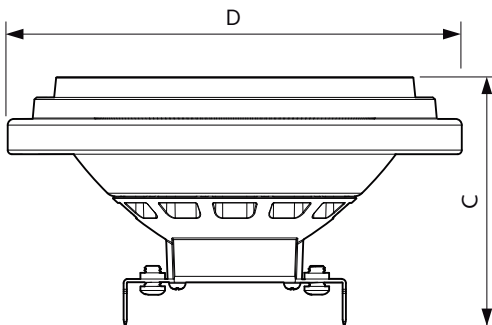
Approval and application

Suitable For Accent Lighting	Yes
Energy Consumption kWh/1000 h	22 kWh

Product data

Full product code	871869969073100
Order product name	MAS LED SpotLV 20-100W 930 AR111 24D
EAN/UPC - Product	8718699690731
Order code	929002239908
Numerator - Quantity Per Pack	1
Numerator - Packs per outer box	6
Material Nr. (12NC)	929002239908
Net Weight (Piece)	0.160 kg

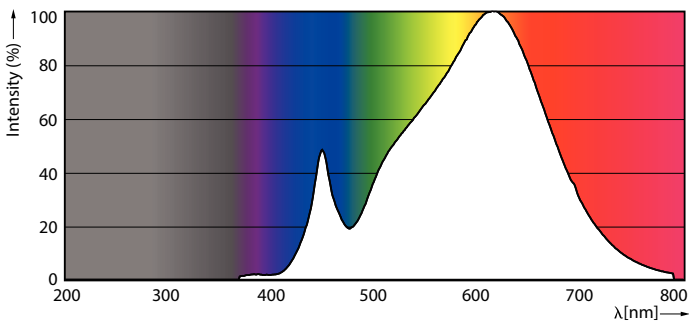
Dimensional drawing



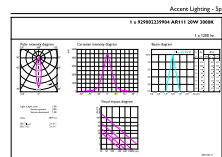
MAS LED SpotLV 20-100W 930 AR111 24D

Product	D	C
MAS LED SpotLV 20-100W 930 AR111 24D	111 mm	62 mm

Photometric data



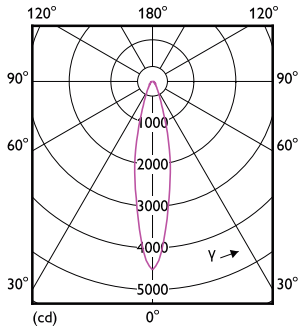
LEDspots 20W AR111 G53 930 15D



LEDspots 20W AR111 G53 930 25D

MASTER LEDspot LV AR111

Photometric data



LEDspots 20W AR111 G53 930 25D

Lifetime



LEDspots LED 25K



LEDspots LMP 25K

