



LED AR111

20AR111/LED/927/F25 DIM 12V 6/1FB

With an elegant new design, Philips MasterClass LED AR111 creates a brilliant visual effect. With excellent rendering of 90+ CRI and R9>50, colors stay vibrant and natural, enhancing the appeal of everything on display.

Product data

General information	
Cap-Base	G53 [G53]
EU RoHS compliant	Yes
Nominal Lifetime (Nom)	25000 h
Switching Cycle	50000X
Technical Type	20-100W
Light technical	
Color Code	927 [CCT of 2700K]
Beam Angle (Nom)	25 °
Luminous Flux (Nom)	1150 lm
Luminous Intensity (Nom)	4000 cd
Color Designation	Warm White (WW)
Correlated Color Temperature (Nom)	2700 K
Luminous Efficacy (rated) (Nom)	57.00 lm/W
Color Consistency	<4
Color Rendering Index (Nom)	91
LLMF At End Of Nominal Lifetime (Nom)	70 %
Operating and electrical	
Input Frequency	- Hz
Power (Nom)	20 W
Lamp Current (Nom)	2400 mA
Wattage Equivalent	100 W

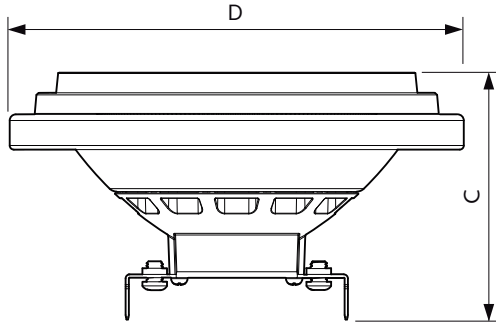
Starting Time (Nom)	0.5 s
Warm Up Time to 60% Light (Nom)	0.5 s
Power Factor (Nom)	0.7
Voltage (Nom)	ac electronic 12 V
Temperature	
T-Case Maximum (Nom)	80 °C
Controls and dimming	
Dimmable	Yes
Mechanical and housing	
Bulb Finish	Clear
Bulb Material	Plastic
Bulb Shape	AR111
Approval and application	
Suitable For Accent Lighting	Yes
Energy Consumption kWh/1000 h	- kWh
Energy Certifications	No
Product data	
Order product name	20AR111/LED/927/F25 DIM 12V 6/1FB
EAN/UPC - Product	046677552381

LED AR111

Order code	929002239804
Numerator - Quantity Per Pack	1
Numerator - Packs per outer box	6
Material Nr. (12NC)	929002239804

Net Weight (Piece)	0.160 kg
--------------------	----------

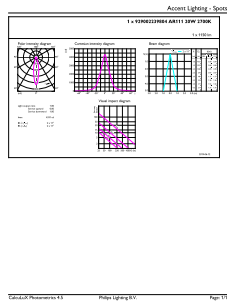
Dimensional drawing



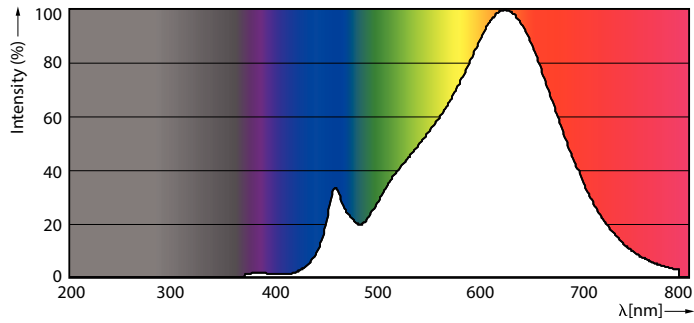
20AR111/LED/927/F25 DIM 12V 6/1FB

Product	D	C
20AR111/LED/927/F25 DIM 12V 6/1FB	111 mm	62 mm

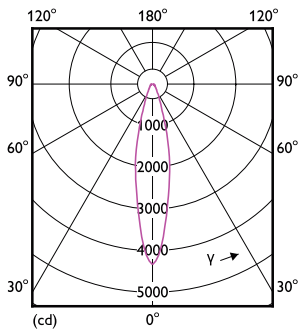
Photometric data



LEDspots 20W AR111 G53 927 24D



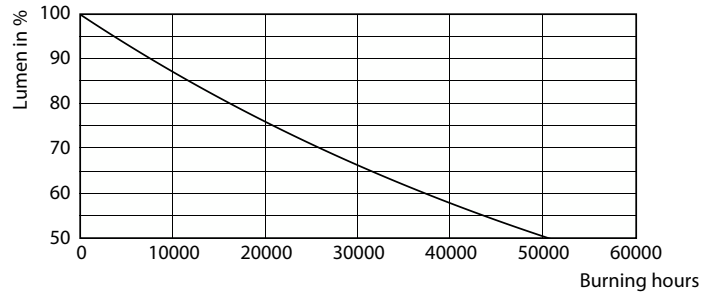
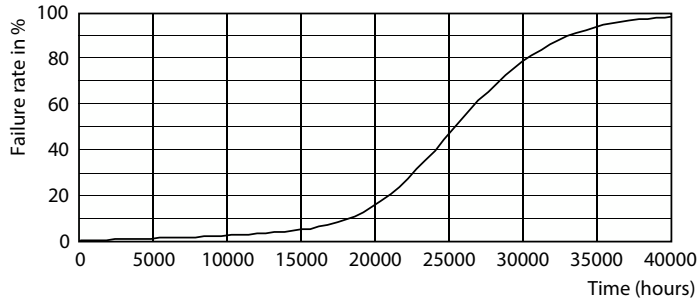
LEDspots 20W AR111 G53 927



LEDspots 20W AR111 G53 927 24D

LED AR111

Lifetime



Life Expectancy Diagram

Lumen Maintenance Diagram

