



MASTER LEDspot LV AR111

MAS LED SpotLV 20-100W 930 AR111 12D

With its new perfect-fit design, the Master LEDspot LV AR111 now works with most of G53 luminaires as a true retrofit solution. The lamp creates a brilliant visual effect for retail and hospitality applications such as shops, showrooms and galleries. The high quality light brings out the true colors in merchandise and emphasizes its beauty. It also lasts long, with a strong lumen and color maintenance. The beautifully designed lamp offers a well-defined beam with a multitude of beam angles to suit various applications. Not only does it employ the Philips patented solution to ensure it is compatible with a broad selection of standard 12V halogen electronic transformers, it also delivers high beam intensity which equivalent to halogen AR111 spots of 50W, 75W or 100W.

Product data

General information	
Cap-Base	G53 [G53]
EU RoHS compliant	Yes
Nominal Lifetime (Nom)	25000 h
Switching Cycle	50000X
Technical Type	20-100W
Light technical	
Color Code	930 [CCT of 3000K]
Beam Angle (Nom)	12 °
Luminous Flux (Nom)	1250 lm
Luminous Intensity (Nom)	8000 cd
Color Designation	White (WH)
Correlated Color Temperature (Nom)	3000 K
Luminous Efficacy (rated) (Nom)	62.00 lm/W

Color Consistency	<4
Color Rendering Index (Nom)	91
LLMF At End Of Nominal Lifetime (Nom)	70 %
Operating and electrical	
Input Frequency	- Hz
Power (Nom)	20 W
Lamp Current (Nom)	2400 mA
Wattage Equivalent	100 W
Starting Time (Nom)	0.5 s
Warm Up Time to 60% Light (Nom)	0.5 s
Power Factor (Nom)	0.7
Voltage (Nom)	ac electronic 12 V

MASTER LEDspot LV AR111

Temperature

T-Case Maximum (Nom)	80 °C
----------------------	-------

Controls and dimming

Dimmable	Yes
----------	-----

Mechanical and housing

Bulb Shape	AR111
------------	-------

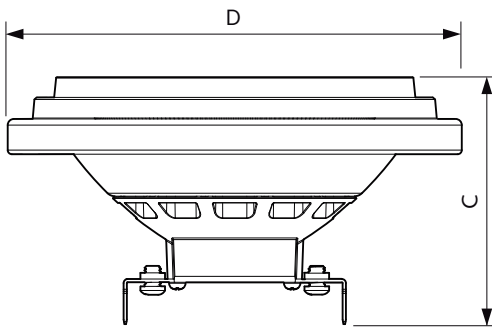
Approval and application

Suitable For Accent Lighting	Yes
Energy Consumption kWh/1000 h	22 kWh

Product data

Full product code	871869969067000
Order product name	MAS LED SpotLV 20-100W 930 AR111 12D
EAN/UPC - Product	8718699690670
Order code	929002239608
Numerator - Quantity Per Pack	1
Numerator - Packs per outer box	6
Material Nr. (12NC)	929002239608
Net Weight (Piece)	0.160 kg

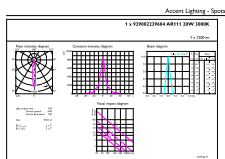
Dimensional drawing



MAS LED SpotLV 20-100W 930 AR111 12D

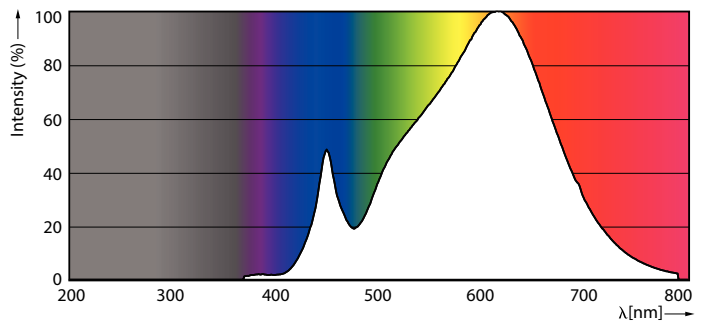
Product	D	C
MAS LED SpotLV 20-100W 930 AR111 12D	111 mm	62 mm

Photometric data



Calculations: 12
Page: 1/11

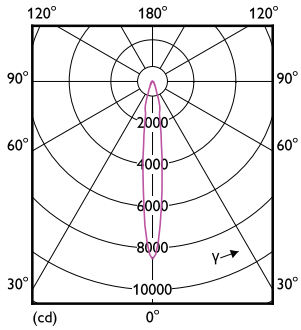
LEDspots 20W AR111 G53 930 15D



LEDspots 20W AR111 G53 930 15D

MASTER LEDspot LV AR111

Photometric data



LEDspots 20W AR111 G53 930 15D

Lifetime



LEDspots LED 25K



LEDspots LMP 25K

