



MASTER LEDspot LV AR111

MASLEDExpertColor 14.5-75W 927 AR111 40D

With its new perfect-fit design, the Master LEDspot LV AR111 now works with most of G53 luminaires as a true retrofit solution. The lamp creates a brilliant visual effect for retail and hospitality applications such as shops, showrooms and galleries. The high quality light brings out the true colors in merchandise and emphasizes its beauty. It also lasts long, with a strong lumen and color maintenance. The beautifully designed lamp offers a well-defined beam with a multitude of beam angles to suit various applications. Not only does it employ the Philips patented solution to ensure it is compatible with a broad selection of standard 12V halogen electronic transformers, it also delivers high beam intensity which equivalent to halogen AR111 spots of 50W, 75W or 100W.

Product data

General information		Color Rendering Index (Nom)	
Cap-Base	G53 [G53]		97
EU RoHS compliant	Yes	LLMF At End Of Nominal Lifetime (Nom)	70 %
Nominal Lifetime (Nom)	40000 h	Operating and electrical	
Switching Cycle	50000X	Input Frequency	- Hz
Light technical		Power (Nom)	14.5 W
Color Code	927 [CCT of 2700K]	Lamp Current (Nom)	1800 mA
Beam Angle (Nom)	40 °	Wattage Equivalent	75 W
Luminous Flux (Nom)	950 lm	Starting Time (Nom)	0.5 s
Luminous Intensity (Nom)	1400 cd	Warm Up Time to 60% Light (Nom)	0.5 s
Color Designation	Warm White (WW)	Power Factor (Nom)	0.7
Correlated Color Temperature (Nom)	2700 K	Voltage (Nom)	ac electronic 12 V
Luminous Efficacy (rated) (Nom)	65.00 lm/W		
Color Consistency	<4		

MASTER LEDspot LV AR111

Temperature

T-Case Maximum (Nom)	74 °C
----------------------	-------

Controls and dimming

Dimmable	Only with specific dimmers
----------	----------------------------

Mechanical and housing

Bulb Shape	AR111
------------	-------

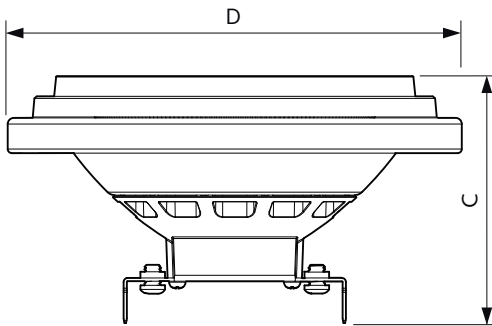
Approval and application

Suitable For Accent Lighting	Yes
------------------------------	-----

Product data

Full product code	871951428449400
Order product name	MASLEExpertColor 14.5-75W 927 AR111 40D
EAN/UPC - Product	8719514284494
Order code	929002239368
Numerator - Quantity Per Pack	1
Numerator - Packs per outer box	6
Material Nr. (12NC)	929002239368
Net Weight (Piece)	0.016 kg

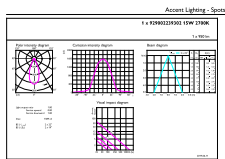
Dimensional drawing



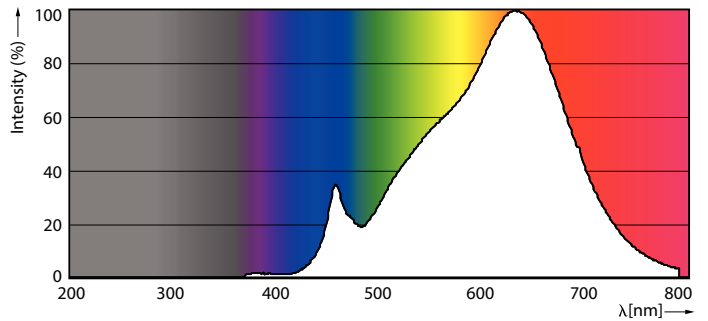
MASLEExpertColor 14.5-75W 927 AR111 40D

Product	D	C
MASLEExpertColor 14.5-75W 927 AR111 40D	111 mm	62 mm

Photometric data



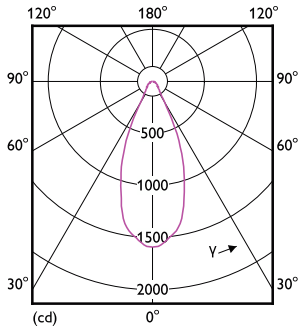
LEDspots 75W G53 AR111 927 40D



LEDspots 75W G53 AR111 927

MASTER LEDspot LV AR111

Photometric data



LEDspots 75W G53 AR111 927 40D

Lifetime



Life Expectancy Diagram



Lumen Maintenance Diagram

