



# LED AR111

## 16AR111/LED/927/F25/DIM/EC 12V FB 6/1

With an elegant new design, Philips MasterClass LED AR111 creates a brilliant visual effect. With excellent rendering of 90+ CRI and R9>50, colors stay vibrant and natural, enhancing the appeal of everything on display.

### Product data

General information	
Cap-Base	G53 [ G53]
EU RoHS compliant	Yes
Nominal Lifetime (Nom)	40000 h
Switching Cycle	50000X
Technical Type	16-75W
Light technical	
Color Code	927 [ CCT of 2700K]
Beam Angle (Nom)	25 °
Luminous Flux (Nom)	900 lm
Luminous Intensity (Nom)	3500 cd
Color Designation	Warm White (WW)
Correlated Color Temperature (Nom)	2700 K
Luminous Efficacy (rated) (Nom)	56.00 lm/W
Color Consistency	<4
Color Rendering Index (Nom)	97
LLMF At End Of Nominal Lifetime (Nom)	70 %
Operating and electrical	
Input Frequency	- Hz
Power (Nom)	16 W
Lamp Current (Nom)	1800 mA
Wattage Equivalent	75 W

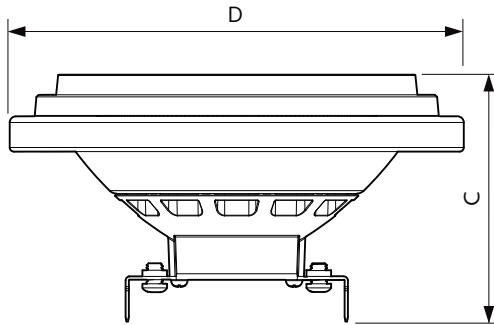
Starting Time (Nom)	0.5 s
Warm Up Time to 60% Light (Nom)	0.5 s
Power Factor (Nom)	0.7
Voltage (Nom)	ac electronic 12 V
Temperature	
T-Case Maximum (Nom)	74 °C
Controls and dimming	
Dimmable	Yes
Mechanical and housing	
Bulb Finish	Clear
Bulb Material	Plastic
Bulb Shape	AR111
Approval and application	
Suitable For Accent Lighting	Yes
Energy Consumption kWh/1000 h	- kWh
Energy Certifications	No
Product data	
Order product name	16AR111/LED/927/F25/DIM/EC 12V FB 6/1
EAN/UPC - Product	046677552411

# LED AR111

Order code	929002239004
Numerator - Quantity Per Pack	1
Numerator - Packs per outer box	6
Material Nr. (12NC)	929002239004

Net Weight (Piece)	0.160 kg
--------------------	----------

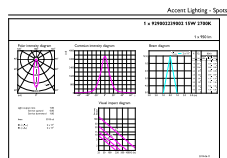
## Dimensional drawing



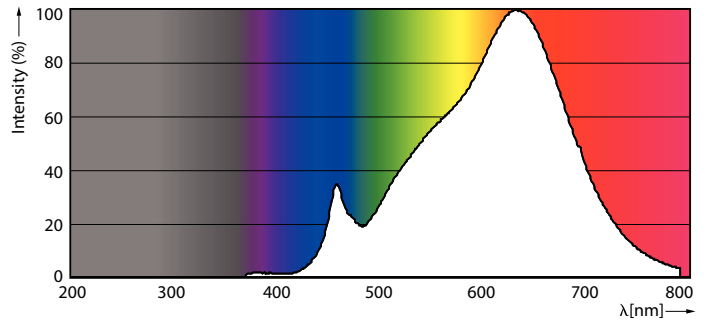
16AR111/LED/927/F25/DIM/EC 12V FB 6/1

Product	D	C
16AR111/LED/927/F25/DIM/EC 12V FB 6/1	111 mm	62 mm

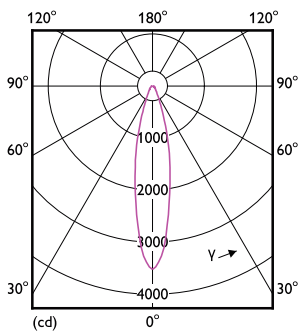
## Photometric data



LEDspots 75W G53 AR111 927 24D



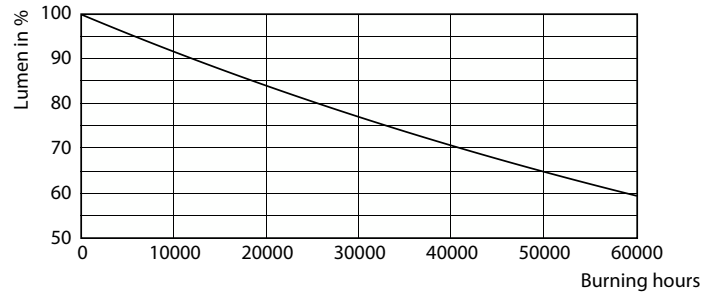
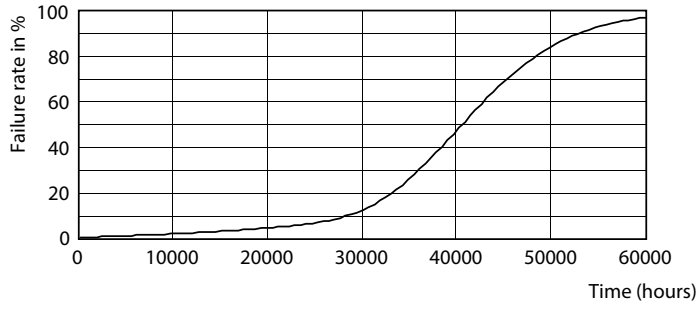
LEDspots 75W G53 AR111 927



LEDspots 75W G53 AR111 927 24D

# LED AR111

## Lifetime



Life Expectancy Diagram

Lumen Maintenance Diagram

