



Essential LEDspot GU10

LEDspotGU10EcoHome 50W 865 36D HV 4CT/8

Essential LEDspots are compatible with most existing fixtures with a GU10 socket and are designed as a retrofit replacement for halogen spots. Essential LEDspots deliver significant energy savings and minimize initial investment.

Product data

General information	
Cap-Base	GU10 [GU10]
EU RoHS compliant	Yes
Nominal Lifetime (Nom)	10000 h
Switching Cycle	50000X
Light technical	
Color Code	865 [CCT of 6500K]
Beam Angle (Nom)	36 °
Luminous Flux (Nom)	370 lm
Luminous Intensity (Nom)	600 cd
Color Designation	Cool Daylight
Correlated Color Temperature (Nom)	6500 K
Luminous Efficacy (rated) (Nom)	97.00 lm/W
Color Consistency	<6
Color Rendering Index (Nom)	80
LLMF At End Of Nominal Lifetime (Nom)	70 %
Operating and electrical	
Input Frequency	50 to 60 Hz
Power (Nom)	3.8 W

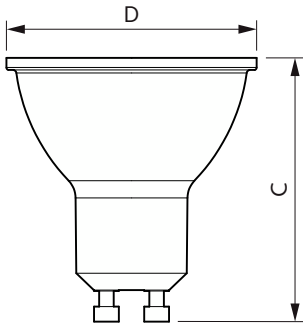
Lamp Current (Nom)	30 mA
Wattage Equivalent	50 W
Starting Time (Nom)	0.5 s
Warm Up Time to 60% Light (Nom)	0.5 s
Power Factor (Nom)	0.4
Voltage (Nom)	220 V
Temperature	
T-Case Maximum (Nom)	70 °C
Controls and dimming	
Dimmable	No
Mechanical and housing	
Bulb Shape	PAR16 [PAR 2 inch]
Approval and application	
Suitable For Accent Lighting	Yes
Product data	
Full product code	871951440501100

Essential LEDspot GU10

Order product name	LEDspotGU10EcoHome 50W 865 36D HV 4CT/8
EAN/UPC - Product	8719514405028
Order code	929002057597
Numerator - Quantity Per Pack	1

Numerator - Packs per outer box	8
Material Nr. (12NC)	929002057597
Net Weight (Piece)	0.036 kg

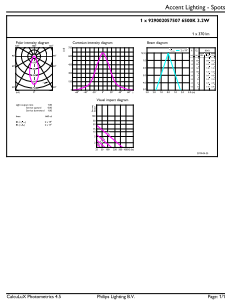
Dimensional drawing



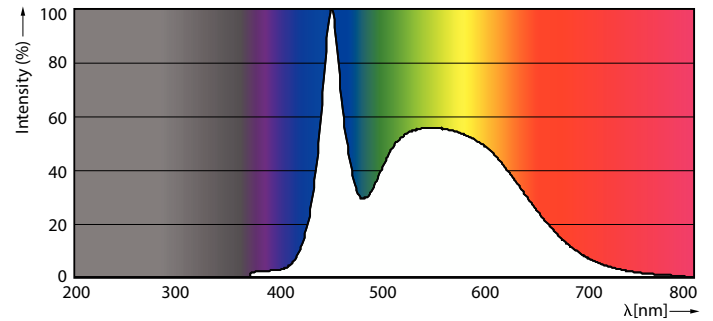
LEDspotGU10EcoHome 50W 865 36D HV 4CT/8

Product	D	C
LEDspotGU10EcoHome 50W 865 36D HV 4CT/8	50 mm	54 mm

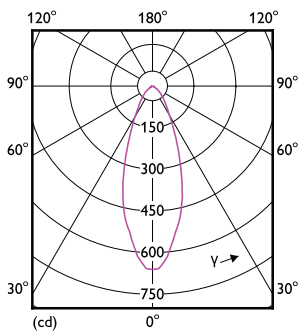
Photometric data



LEDspot GU10 PAR16 6500K



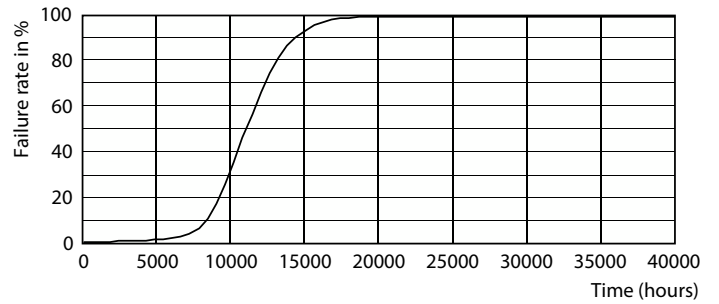
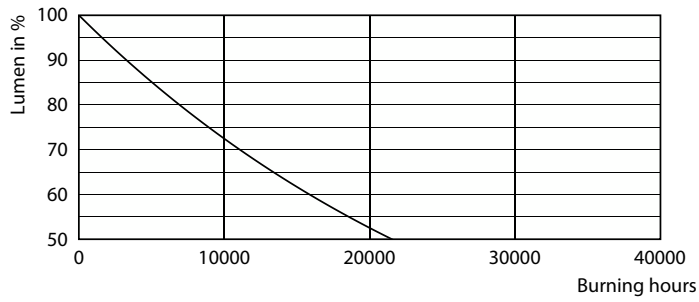
LEDspot GU10 PAR16 6500K



LEDspot GU10 PAR16 6500K

Essential LEDspot GU10

Lifetime



LEDspot GU10 PAR16

LEDspot GU10 PAR16

