



# Essential LEDspot GU10

## LEDspotGU10EcoHome 50W 827 36D HV 4CT/8

Essential LEDspots are compatible with most existing fixtures with a GU10 socket and are designed as a retrofit replacement for halogen spots. Essential LEDspots deliver significant energy savings and minimize initial investment.

### Product data

General information	
Cap-Base	GU10 [ GU10]
EU RoHS compliant	Yes
Nominal Lifetime (Nom)	10000 h
Switching Cycle	50000X
Light technical	
Color Code	827 [ CCT of 2700K]
Beam Angle (Nom)	36 °
Luminous Flux (Nom)	340 lm
Luminous Intensity (Nom)	600 cd
Color Designation	Warm White (WW)
Correlated Color Temperature (Nom)	2700 K
Luminous Efficacy (rated) (Nom)	89.00 lm/W
Color Consistency	<6
Color Rendering Index (Nom)	80
LLMF At End Of Nominal Lifetime (Nom)	70 %
Operating and electrical	
Input Frequency	50 to 60 Hz
Power (Nom)	3.8 W

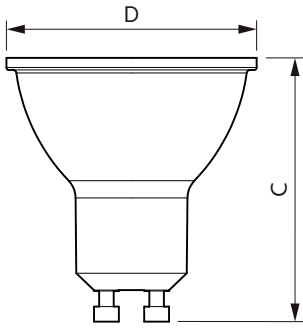
Lamp Current (Nom)	30 mA
Wattage Equivalent	50 W
Starting Time (Nom)	0.5 s
Warm Up Time to 60% Light (Nom)	0.5 s
Power Factor (Nom)	0.4
Voltage (Nom)	220 V
Temperature	
T-Case Maximum (Nom)	70 °C
Controls and dimming	
Dimmable	No
Mechanical and housing	
Bulb Shape	PAR16 [ PAR 2 inch]
Approval and application	
Suitable For Accent Lighting	Yes
Product data	
Full product code	871951440499100

# Essential LEDspot GU10

Order product name	LEDspotGU10EcoHome 50W 827 36D HV 4CT/8
EAN/UPC - Product	8719514405004
Order code	929002057397
Numerator - Quantity Per Pack	1

Numerator - Packs per outer box	8
Material Nr. (12NC)	929002057397
Net Weight (Piece)	0.036 kg

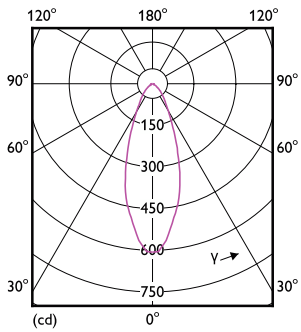
## Dimensional drawing



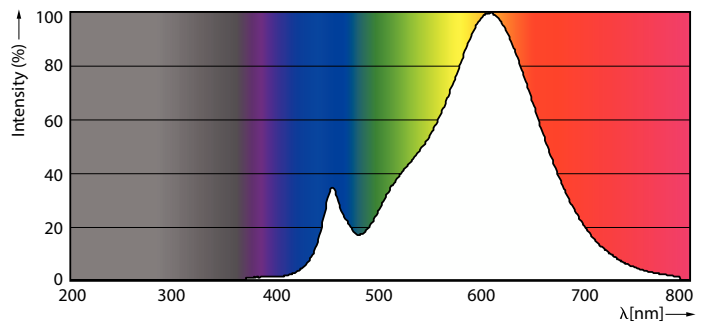
LEDspotGU10EcoHome 50W 827 36D HV 4CT/8

Product	D	C
LEDspotGU10EcoHome 50W 827 36D HV 4CT/8	50 mm	54 mm

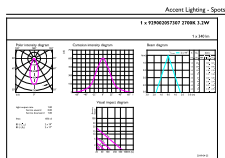
## Photometric data



LEDspot GU10 PAR16 2700K



LEDspot GU10 PAR16 2700K

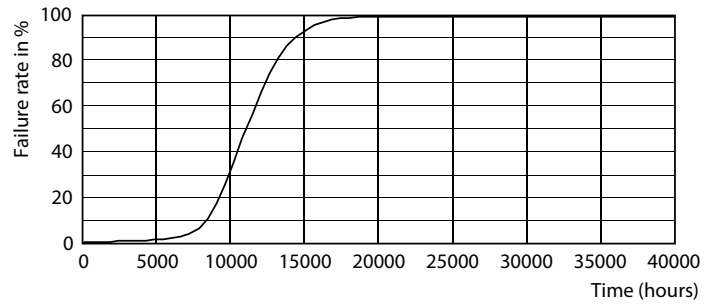
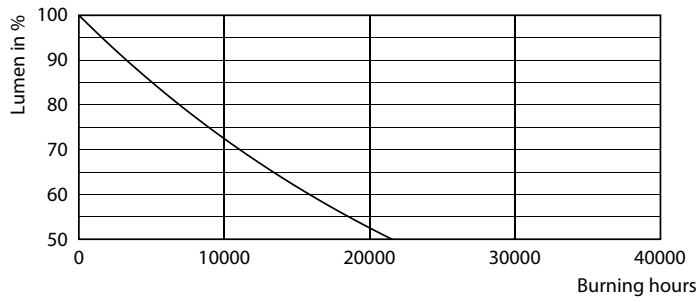


© 2021 Philips Lighting B.V. Page 11

LEDspot GU10 PAR16 2700K

# Essential LEDspot GU10

## Lifetime



LEDspot GU10 PAR16

LEDspot GU10 PAR16

