



# LED Designer Deco

## Tbulb LEDBulb 10W E27 3000K W 1CT/6 LAT

Philips LED Designer Deco lamps allow you to maintain a warm, classic light or a modern, chic effect while providing longer life and energy savings

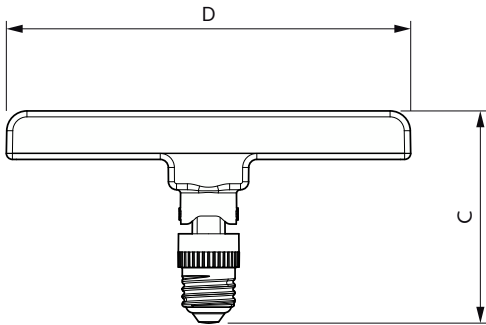
### Product data

General information	
Cap-Base	E27 [ E27]
EU RoHS compliant	Yes
Nominal Lifetime (Nom)	15000 h
Switching Cycle	50000X
Light technical	
Color Code	830 [ CCT of 3000K]
Beam Angle (Nom)	120 °
Luminous Flux (Nom)	1000 lm
Color Designation	White (WH)
Correlated Color Temperature (Nom)	3000 K
Luminous Efficacy (rated) (Nom)	100.00 lm/W
Color Consistency	<1
Color Rendering Index (Nom)	80
LLMF At End Of Nominal Lifetime (Nom)	70 %
Operating and electrical	
Input Frequency	50 to 60 Hz
Power (Nom)	10 W
Wattage Equivalent	75 W
Starting Time (Nom)	0.5 s

Warm Up Time to 60% Light (Nom)	0.5 s
Power Factor (Nom)	0.9
Voltage (Nom)	100-240 V
Controls and dimming	
Dimmable	No
Mechanical and housing	
Bulb Finish	Frosted
Bulb Shape	T-shape
Product data	
Full product code	871869964709400
Order product name	Tbulb LEDBulb 10W E27 3000K W 1CT/6 LAT
EAN/UPC - Product	8718699647094
Order code	929001978711
Numerator - Quantity Per Pack	1
Numerator - Packs per outer box	6
Material Nr. (12NC)	929001978711
Net Weight (Piece)	0.120 kg

# LED Designer Deco

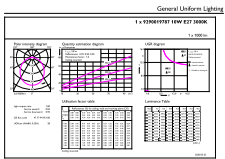
## Dimensional drawing



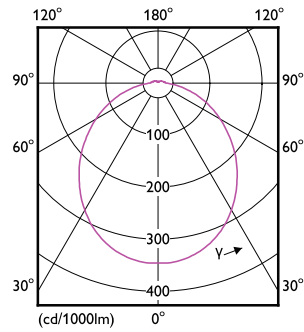
Tbulb LEDBulb 10W E27 3000K W 1CT/6 LAT

Product	D	C
Tbulb LEDBulb 10W E27 3000K W 1CT/6 LAT	200 mm	105 mm

## Photometric data

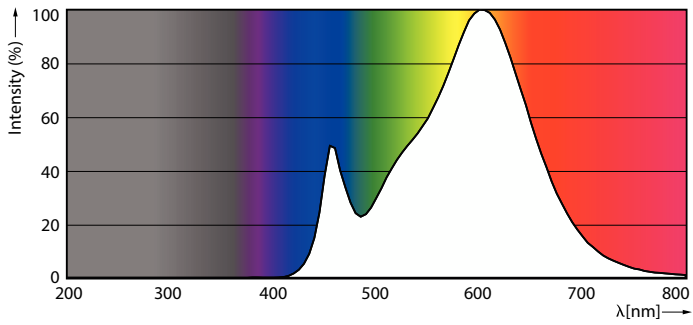


© 2022 Philips Lighting B.V. Page 1/1



General uniform lighting

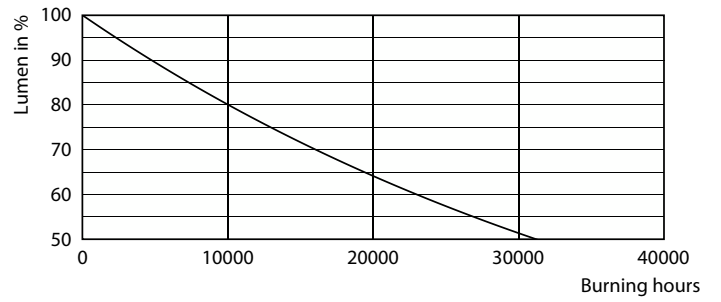
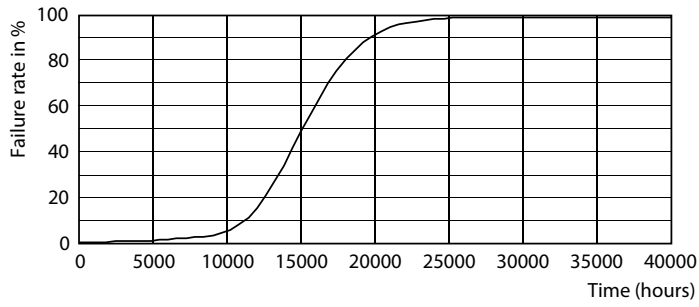
Light Distribution Diagram



Spectral Power Distribution Colour

# LED Designer Deco

## Lifetime



Life Expectancy Diagram

Lumen Maintenance Diagram

