



Essential LEDspot GU10

LEDspot 5-50W GU10 865 100-240V 36D ND

Essential LEDspots are compatible with most existing fixtures with a GU10 socket and are designed as a retrofit replacement for halogen spots. Essential LEDspots deliver significant energy savings and minimize initial investment.

Product data

General information	
Cap-Base	GU10 [GU10]
EU RoHS compliant	Yes
Nominal Lifetime (Nom)	15000 h
Switching Cycle	50000X
Light technical	
Color Code	865 [CCT of 6500K]
Beam Angle (Nom)	36 °
Luminous Flux (Nom)	350 lm
Luminous Intensity (Nom)	600 cd
Color Designation	Cool Daylight
Correlated Color Temperature (Nom)	6500 K
Luminous Efficacy (rated) (Nom)	70.00 lm/W
Color Consistency	<6
Color Rendering Index (Nom)	80
LLMF At End Of Nominal Lifetime (Nom)	70 %
Operating and electrical	
Input Frequency	50 to 60 Hz
Power (Nom)	5 W

Lamp Current (Nom)	75 mA
Wattage Equivalent	50 W
Starting Time (Nom)	0.5 s
Warm Up Time to 60% Light (Nom)	0.5 s
Power Factor (Nom)	0.5
Voltage (Nom)	100-240 V
Temperature	
T-Case Maximum (Nom)	75 °C
Controls and dimming	
Dimmable	No
Mechanical and housing	
Bulb Shape	PAR16 [PAR 2 inch]
Approval and application	
Suitable For Accent Lighting	Yes
Energy Consumption kWh/1000 h	- kWh

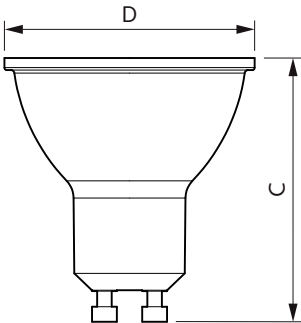
Essential LEDspot GU10

Product data

Full product code	871869670617600
Order product name	LEDspot 5-50W GU10 865 100-240V 36D ND
EAN/UPC - Product	8718696706176
Order code	929001971341
Numerator - Quantity Per Pack	1

Numerator - Packs per outer box	10
Material Nr. (12NC)	929001971341
Net Weight (Piece)	0.060 kg

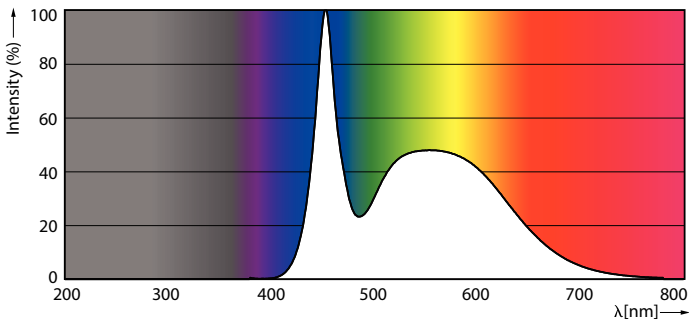
Dimensional drawing



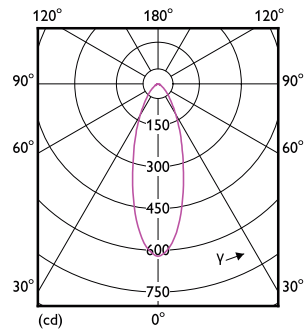
LEDspot 5-50W GU10 865 100-240V 36D ND

Product	D	C
LEDspot 5-50W GU10 865 100-240V 36D ND	50 mm	54 mm

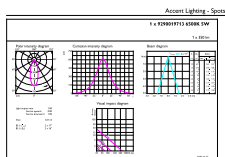
Photometric data



LEDspots ESS K 5W PAR16 G10 865 36D



LEDspots ESS K 5W PAR16 G10 827 36D

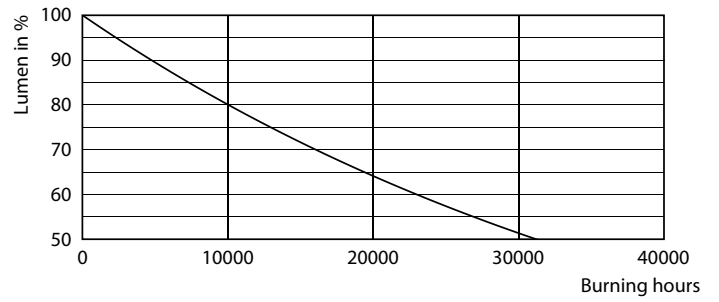
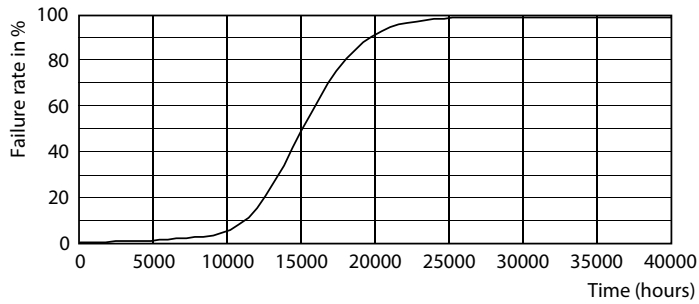


© 2021 Philips Lighting B.V. All rights reserved. Philips Lighting B.V.

LEDspots ESS 5W PAR16 G10 865 36D

Essential LEDspot GU10

Lifetime



Life Expectancy Diagram

Lumen Maintenance Diagram

