



TrueForce High Lumen PAR

23PAR30s/PER/930/S15/ND/120V 6/1FB

Philips LED TrueForce PAR high lumen lamps are the perfect transition from CDM lamps to LED.

Product data

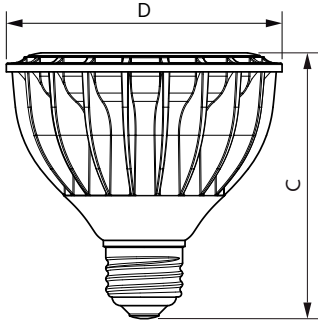
General information		Lamp Current (Nom)		206 mA
Cap-Base	E26 [Single Contact Medium Screw]	Wattage Equivalent	75 W	
EU RoHS compliant	Yes	Starting Time (Nom)	0.5 s	
Nominal Lifetime (Nom)	25000 h	Warm Up Time to 60% Light (Nom)	0.5 s	
Switching Cycle	50000X	Power Factor (Nom)	0.9	
Technical Type	23-75W	Voltage (Nom)	120 V	
Light technical		Temperature		
Color Code	930 [CCT of 3000K]	T-Case Maximum (Nom)	94 °C	
Beam Angle (Nom)	15 °	Controls and dimming		
Luminous Flux (Nom)	1900 lm	Dimmable	No	
Luminous Intensity (Nom)	12000 cd	Mechanical and housing		
Color Designation	White (WH)	Bulb Shape	PAR30S [PAR 3.75 inch/95mm Short]	
Correlated Color Temperature (Nom)	3000 K	Approval and application		
Luminous Efficacy (rated) (Nom)	82.00 lm/W	Suitable For Accent Lighting	Yes	
Color Consistency	<4	Energy Consumption kWh/1000 h	- kWh	
Color Rendering Index (Nom)	90	Product data		
LLMF At End Of Nominal Lifetime (Nom)	70 %	Order product name	23PAR30s/PER/930/S15/ND/120V 6/1FB	
Operating and electrical				
Input Frequency	50 to 60 Hz			
Power (Nom)	23 W			

TrueForce High Lumen PAR

EAN/UPC - Product	046677534684
Order code	929001917404
Numerator - Quantity Per Pack	1
Numerator - Packs per outer box	6

Material Nr. (12NC)	929001917404
Net Weight (Piece)	0.220 kg

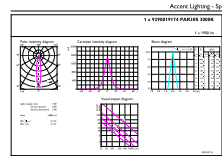
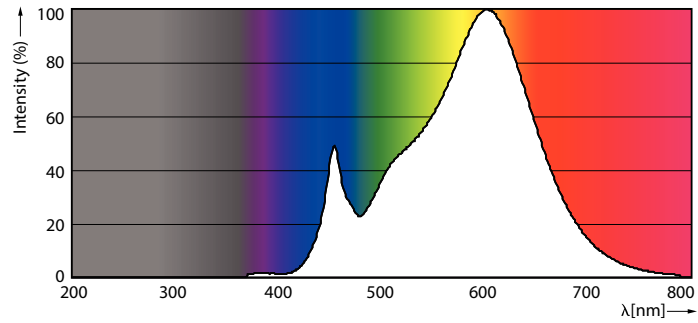
Dimensional drawing



23PAR30s/PER/930/S15/ND/120V 6/1FB

Product	D	C
23PAR30s/PER/930/S15/ND/120V 6/1FB	96 mm	94 mm

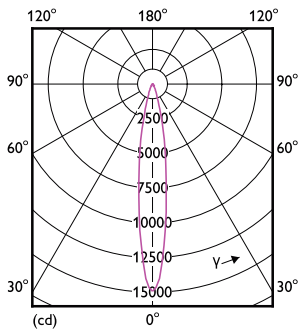
Photometric data



Product Parameters 11 | Product Lighting 11 | Page 11

LEDspot PAR30 1FB

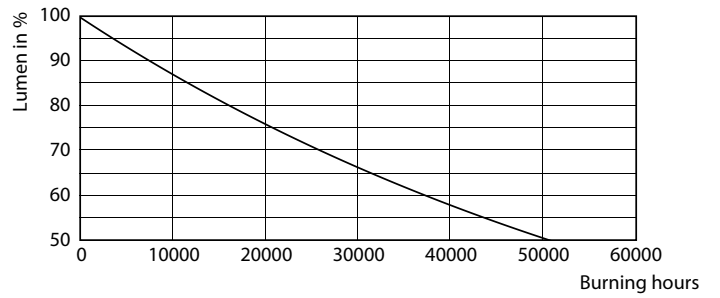
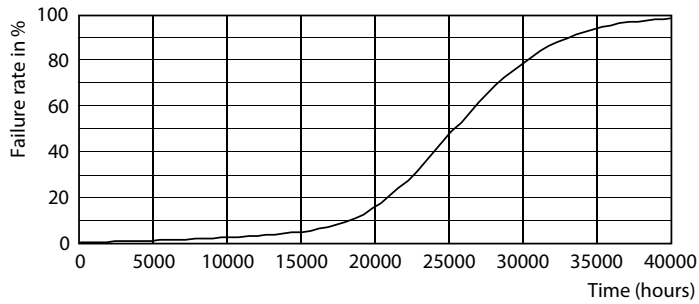
LEDspot 23 PAR30L 930 S15



LEDspot 23 PAR30L 930 S15

TrueForce High Lumen PAR

Lifetime



LEDspot PAR30 1FB

LEDspot PAR30 1FB

