



LED MR16

LED MR16 4.5-50W 36D 830 SO 100-240V 5PK

Philips LED MR-16 lamps with single optic technology provide the look and color quality of traditional halogens while using a fraction of the energy. A perfect fit for spot lighting, they are compatible with most existing fixtures with MR16 GU5.3 holders and are designed as a retrofit replacement for halogen or incandescent spots.

Product data

General information	
Cap-Base	GU5.3 [GU5.3]
EU RoHS compliant	Yes
Nominal Lifetime (Nom)	15000 h
Switching Cycle	50000X
Light technical	
Color Code	830 [CCT of 3000K]
Beam Angle (Nom)	36 °
Luminous Flux (Nom)	400 lm
Luminous Intensity (Nom)	700 cd
Color Designation	White (WH)
Correlated Color Temperature (Nom)	3000 K
Luminous Efficacy (rated) (Nom)	88.00 lm/W
Color Consistency	<6
Color Rendering Index (Nom)	80
LLMF At End Of Nominal Lifetime (Nom)	70 %
Operating and electrical	
Input Frequency	50 to 60 Hz
Power (Nom)	4.5 W
Wattage Equivalent	50 W

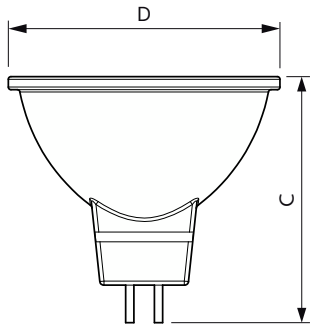
Starting Time (Nom)	0.5 s
Warm Up Time to 60% Light (Nom)	0.5 s
Power Factor (Nom)	0.4
Voltage (Nom)	100-240 V
Temperature	
T-Case Maximum (Nom)	65 °C
Controls and dimming	
Dimmable	No
Mechanical and housing	
Bulb Shape	MR16 [2inch/50mm]
Approval and application	
Suitable For Accent Lighting	Yes
Product data	
Order product name	LED MR16 4.5-50W 36D 830 SO 100-240V 5PK
EAN/UPC - Product	50046677563177
Order code	929001874051

LED MR16

Numerator - Quantity Per Pack	1
Numerator - Packs per outer box	6
Material Nr. (12NC)	929001874051

Net Weight (Piece)	0.030 kg
--------------------	----------

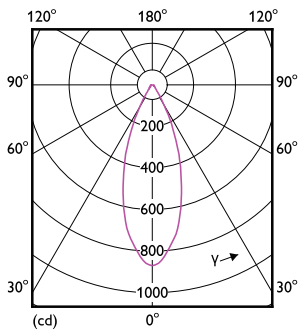
Dimensional drawing



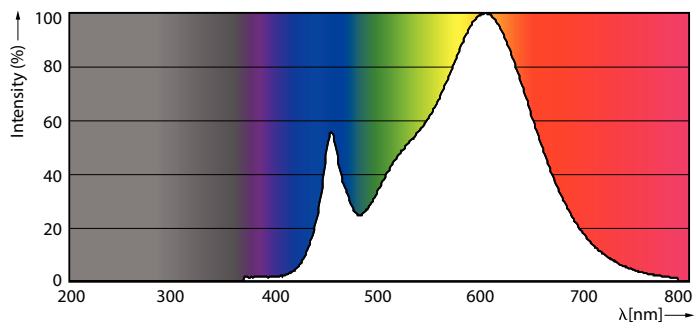
LED MR16 4.5-50W 36D 830 SO 100-240V 5PK

Product	D	C
LED MR16 4.5-50W 36D 830 SO 100-240V 5PK	50.5 mm	46.5 mm

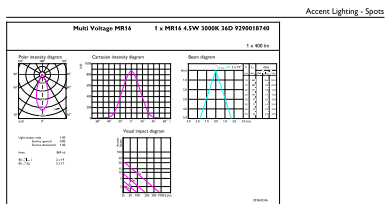
Photometric data



50W GU5-3 MR16 36D 830 3000K



50W GU5-3 MR16

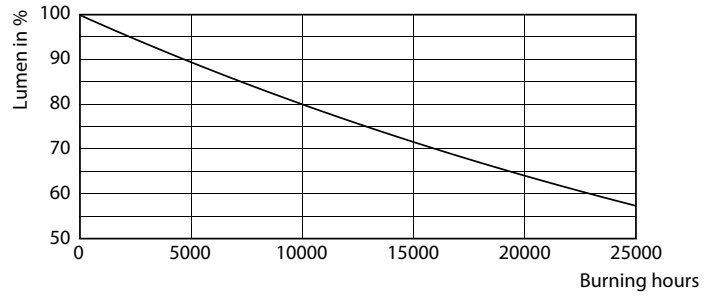
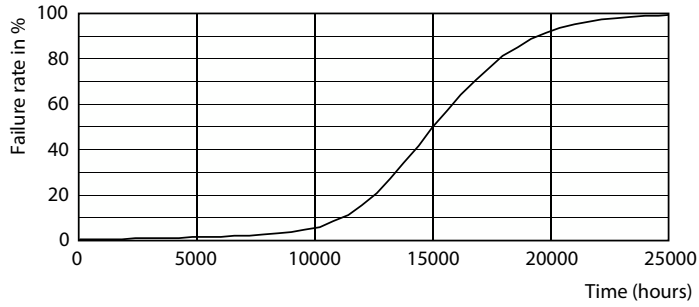


CaluxX Reconnex 4.3 Phisip Lighting BV Page 1/1

50W GU5-3 MR16 36D 830 3000K

LED MR16

Lifetime



50W GU5-3 MR16

50W GU5-3 MR16

