



Essential LEDspot MR16

ESS LEDspot 5W 400lm GU5.3 827 220V

Essential LEDspots MR16 are compatible with most existing fixtures with a GU5.3 socket and are designed as a retrofit replacement for halogen spots. Essential LEDspots MR16 deliver significant energy savings and minimize initial investment.

Product data

General information	
Cap-Base	GU5.3 [GU5.3]
EU RoHS compliant	Yes
Nominal Lifetime (Nom)	10000 h
Switching Cycle	50000X
Light technical	
Color Code	727 [CCT of 2700K]
Beam Angle (Nom)	120 °
Luminous Flux (Nom)	400 lm
Color Designation	Warm White (WW)
Correlated Color Temperature (Nom)	2700 K
Luminous Efficacy (rated) (Nom)	80.00 lm/W
Color Consistency	<6
Color Rendering Index (Nom)	70
LLMF At End Of Nominal Lifetime (Nom)	70 %
Operating and electrical	
Input Frequency	50 to 60 Hz
Power (Nom)	5 W
Lamp Current (Nom)	42 mA

Wattage Equivalent	35 W
Starting Time (Nom)	0.5 s
Warm Up Time to 60% Light (Nom)	0.5 s
Power Factor (Nom)	0.5
Voltage (Nom)	220 V
Temperature	
T-Case Maximum (Nom)	70 °C
Controls and dimming	
Dimmable	No
Mechanical and housing	
Bulb Finish	Clear
Bulb Shape	MR16 [2inch/50mm]
Approval and application	
Suitable For Accent Lighting	No
Energy Consumption kWh/1000 h	5 kWh

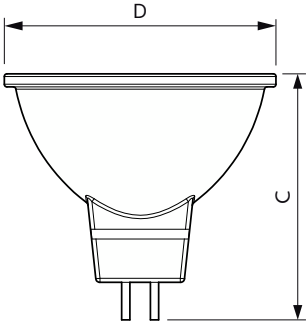
Essential LEDspot MR16

Product data

Full product code	871951430239600
Order product name	ESS LEDspot 5W 400lm GU5.3 827 220V
EAN/UPC - Product	8719514302396
Order code	929001844587
Numerator - Quantity Per Pack	1

Numerator - Packs per outer box	10
Material Nr. (12NC)	929001844587
Net Weight (Piece)	0.038 kg

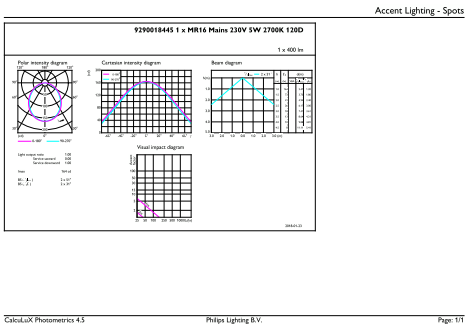
Dimensional drawing



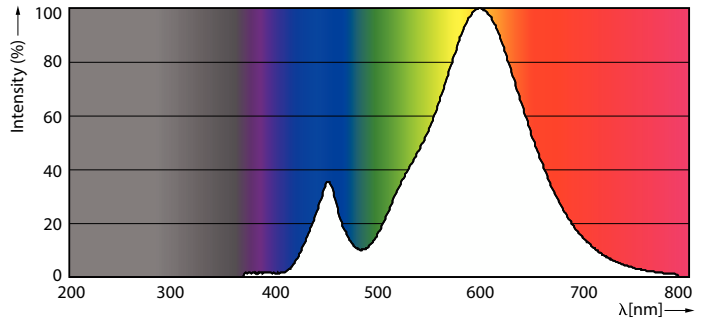
ESS LEDspot 5W 400lm GU5.3 827 220V

Product	D	C
ESS LEDspot 5W 400lm GU5.3 827 220V	50.5 mm	46.5 mm

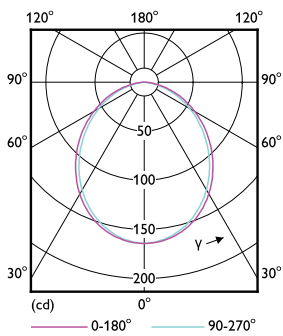
Photometric data



LEDspot ESS 50W GU5.3 MR16 827 12D ND RCA



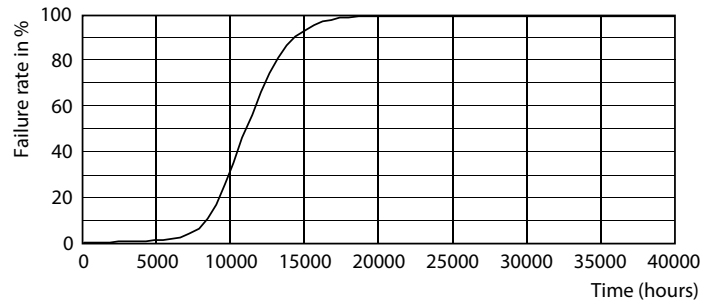
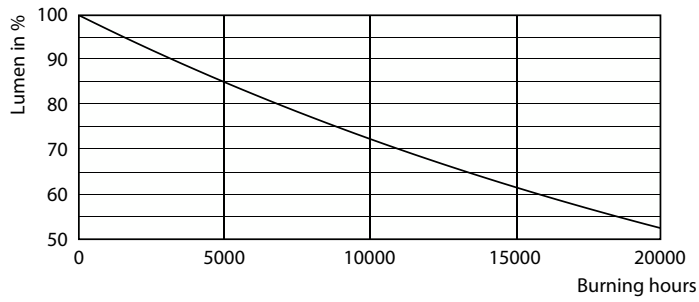
LEDspot ESS 50W GU5.3 MR16 827 12D ND RCA



LEDspot ESS 50W GU5.3 MR16 827 12D ND RCA

Essential LEDspot MR16

Lifetime



LEDspot ESS 50W GU5.3 MR16 827 12D ND RCA

LEDspot ESS 50W GU5.3 MR16 827 12D ND RCA

