



CorePro LEDspot LV

CorePro LED 5-50W 6500K MR16 24D CN

CorePro LEDspots are a perfect fit for spot lighting and deliver warm halogen-like light. They are compatible with most existing fixtures with MR16 GU5.3 holders and are designed as a retrofit replacement for halogen or incandescent spots. CorePro LEDspots deliver huge energy savings and minimize maintenance cost.

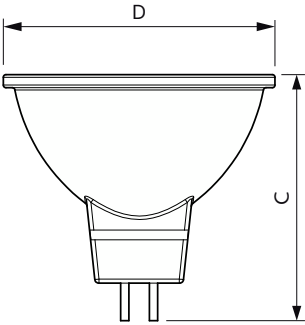
Product data

General information		Starting Time (Nom)	
Cap-Base	GU5.3 [GU5.3]		0.5 s
EU RoHS compliant	Yes	Warm Up Time to 60% Light (Nom)	1 s
Nominal Lifetime (Nom)	15000 h	Power Factor (Nom)	0.5
Switching Cycle	50000X	Voltage (Nom)	12 V
Light technical		Temperature	
Color Code	865 [CCT of 6500K]	T-Case Maximum (Nom)	76 °C
Beam Angle (Nom)	24 °	Controls and dimming	
Luminous Flux (Nom)	435 lm	Dimmable	No
Luminous Intensity (Nom)	1700 cd	Mechanical and housing	
Color Designation	Cool Daylight	Bulb Shape	MR16 [2inch/50mm]
Correlated Color Temperature (Nom)	6500 K	Approval and application	
Luminous Efficacy (rated) (Nom)	87.00 lm/W	Suitable For Accent Lighting	Yes
Color Consistency	<6	Product data	
Color Rendering Index (Nom)	80	Full product code	694793912368100
LLMF At End Of Nominal Lifetime (Nom)	70 %	Order product name	CorePro LED 5-50W 6500K MR16 24D CN
Operating and electrical		EAN/UPC - Product	6947939123681
Input Frequency	- Hz	Order code	929001240210
Power (Nom)	5 W	Numerator - Quantity Per Pack	1
Lamp Current (Nom)	580 mA		
Wattage Equivalent	50 W		

CorePro LEDspot LV

Numerator - Packs per outer box	10
Material Nr. (12NC)	929001240210
Net Weight (Piece)	0.045 kg

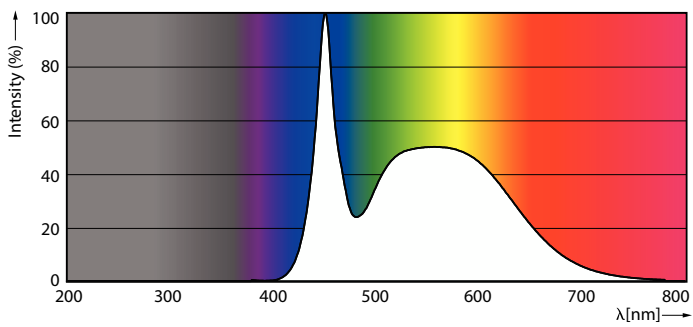
Dimensional drawing



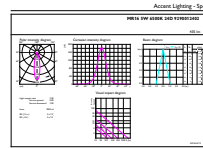
CorePro LED 5-50W 6500K MR16 24D CN

Product	D	C
CorePro LED 5-50W 6500K MR16 24D CN	50 mm	46 mm

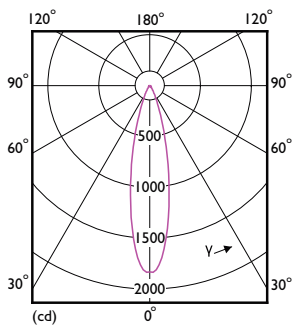
Photometric data



Spectral Power Distribution Colour



Accent Lighting Spots



Light Distribution Diagram

CorePro LEDspot LV

Lifetime



Life Expectancy Diagram

Lumen Maintenance Diagram

