



# Essential LEDspot MR16

## Essential LED 5-50W 2700K MR16 24D

Essential LEDspots MR16 are compatible with most existing fixtures with a GU5.3 socket and are designed as a retrofit replacement for halogen spots. Essential LEDspots MR16 deliver significant energy savings and minimize initial investment.

### Product data

General information	
Cap-Base	GU5.3 [ GU5.3]
EU RoHS compliant	Yes
Nominal Lifetime (Nom)	15000 h
Switching Cycle	50000X
Technical Type	5-50W
Light technical	
Color Code	827 [ CCT of 2700K]
Beam Angle (Nom)	24 °
Luminous Flux (Nom)	400 lm
Luminous Intensity (Nom)	1700 cd
Color Designation	Warm White (WW)
Correlated Color Temperature (Nom)	2700 K
Luminous Efficacy (rated) (Nom)	80.00 lm/W
Color Consistency	<6
Color Rendering Index (Nom)	80
LLMF At End Of Nominal Lifetime (Nom)	70 %
Operating and electrical	
Input Frequency	- Hz

Power (Nom)	5 W
Lamp Current (Nom)	580 mA
Wattage Equivalent	50 W
Starting Time (Nom)	0.5 s
Warm Up Time to 60% Light (Nom)	1 s
Power Factor (Nom)	0.5
Voltage (Nom)	12 V
Temperature	
T-Case Maximum (Nom)	76 °C
Controls and dimming	
Dimmable	No
Mechanical and housing	
Bulb Shape	MR16 [ 2inch/50mm]
Approval and application	
Suitable For Accent Lighting	Yes
Energy Consumption kWh/1000 h	- kWh

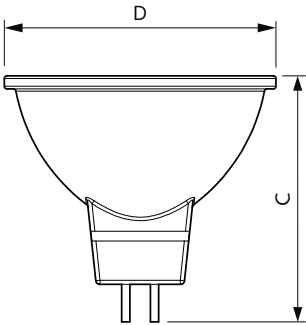
# Essential LEDspot MR16

## Product data

Full product code	871869657955800
Order product name	Essential LED 5-50W 2700K MR16 24D
EAN/UPC - Product	8718696579558
Order code	929001240108
Numerator - Quantity Per Pack	1

Numerator - Packs per outer box	10
Material Nr. (12NC)	929001240108
Net Weight (Piece)	0.045 kg

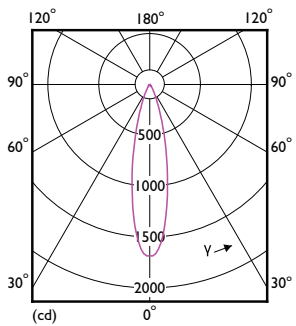
## Dimensional drawing



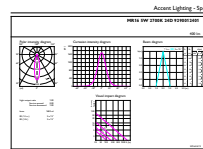
Essential LED 5-50W 2700K MR16 24D

Product	D	C
Essential LED 5-50W 2700K MR16 24D	50 mm	46 mm

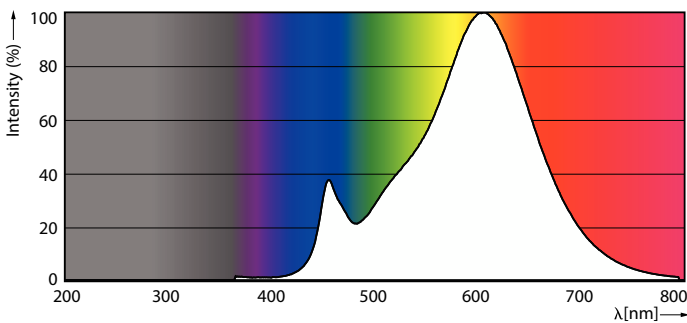
## Photometric data



Light Distribution Diagram



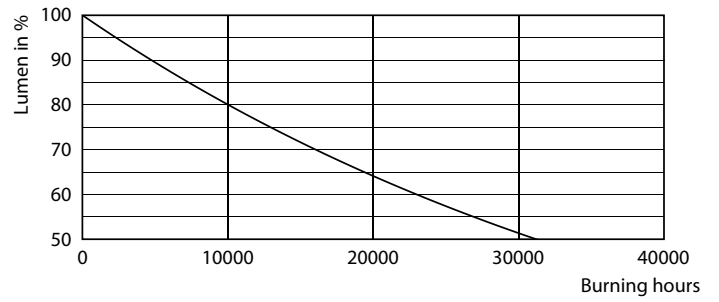
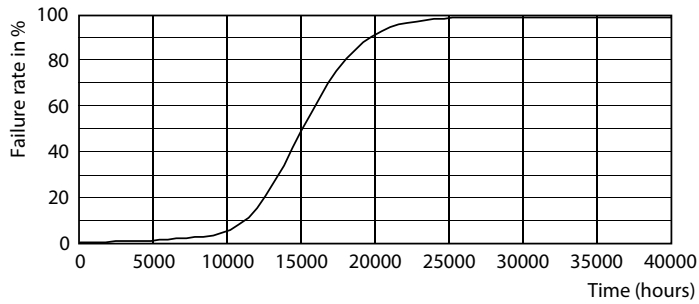
Accent Lighting Spots



Spectral Power Distribution Colour

# Essential LEDspot MR16

## Lifetime



Life Expectancy Diagram

Lumen Maintenance Diagram

