



# A-Shape LED



## LED 75W A60 E27 CW 230V FR ND 2CT/SRT6

Philips A-shape Dimmable LED lamps are the smart LED alternative to standard incandescents. The unique lamp design provides omi-directional light with excellent dimming performance.

### Product data

| General information                   |                     |
|---------------------------------------|---------------------|
| Cap-Base                              | E27 [ E27]          |
| EU RoHS compliant                     | Yes                 |
| Nominal Lifetime (Nom)                | 15000 h             |
| Switching Cycle                       | 50000X              |
| Technical Type                        | 10-75W              |
| Flux measurement reference            | Sphere              |
| Light technical                       |                     |
| Color Code                            | 840 [ CCT of 4000K] |
| Beam Angle (Nom)                      | 200 °               |
| Luminous Flux (Nom)                   | 1055 lm             |
| Color Designation                     | Cool White (CW)     |
| Correlated Color Temperature (Nom)    | 4000 K              |
| Luminous Efficacy (rated) (Nom)       | 105.00 lm/W         |
| Color Consistency                     | <6                  |
| Color Rendering Index (Nom)           | 80                  |
| LLMF At End Of Nominal Lifetime (Nom) | 70 %                |
| Operating and electrical              |                     |
| Input Frequency                       | 50 to 60 Hz         |
| Power (Nom)                           | 10 W                |
| Lamp Current (Nom)                    | 95 mA               |
| Wattage Equivalent                    | 75 W                |

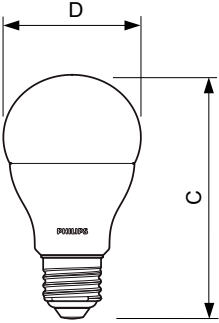
| Starting Time (Nom)             | 0.5 s                                  |
|---------------------------------|--|
| Warm Up Time to 60% Light (Nom) | 0.5 s                                  |
| Power Factor (Nom)              | 0.5                                    |
| Voltage (Nom)                   | 220-240 V                              |
| Temperature                     |  |
| T-Case Maximum (Nom)            | 80 °C                                  |
| Controls and dimming            |  |
| Dimmable                        | No                                     |
| Mechanical and housing          |  |
| Bulb Finish                     | Frosted                                |
| Bulb Shape                      | A60 [ A 60mm]                          |
| Approval and application        |  |
| Energy Efficiency Class         | F                                      |
| Energy Consumption kWh/1000 h   | 10 kWh                                 |
| EPREL Registration Number       | 391872                                 |
| Product data                    |  |
| Full product code               | 871869972699700                        |
| Order product name              | LED 75W A60 E27 CW 230V FR ND 2CT/SRT6 |
| EAN/UPC - Product               | 8718699727000                          |

# A-Shape LED

|                                 |              |
|---------------------------------|--------------|
| Order code                      | 929001234822 |
| Numerator - Quantity Per Pack   | 1            |
| Numerator - Packs per outer box | 6            |
| Material Nr. (12NC)             | 929001234822 |

|                    |          |
|--------------------|----------|
| Net Weight (Piece) | 0.048 kg |
|--------------------|----------|

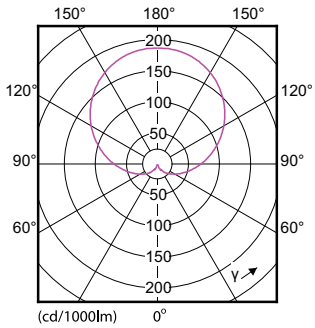
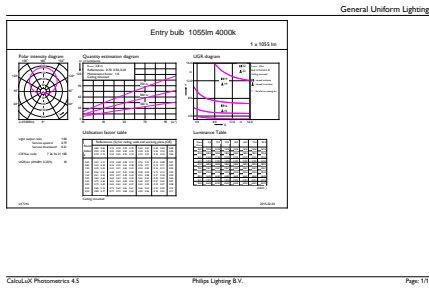
## Dimensional drawing



LED 75W A60 E27 CW 230V FR ND 2CT/SRT6

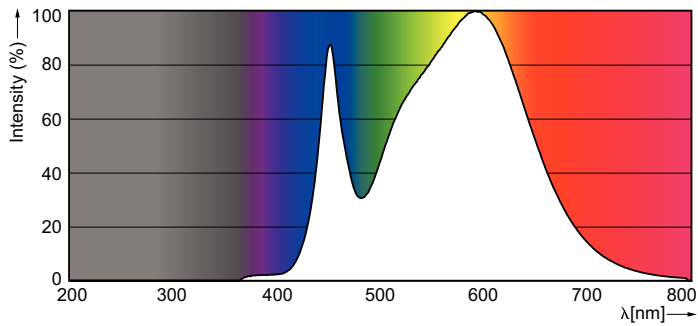
| Product                                | D     | C      |
|--|-------|--------|
| LED 75W A60 E27 CW 230V FR ND 2CT/SRT6 | 60 mm | 110 mm |

## Photometric data



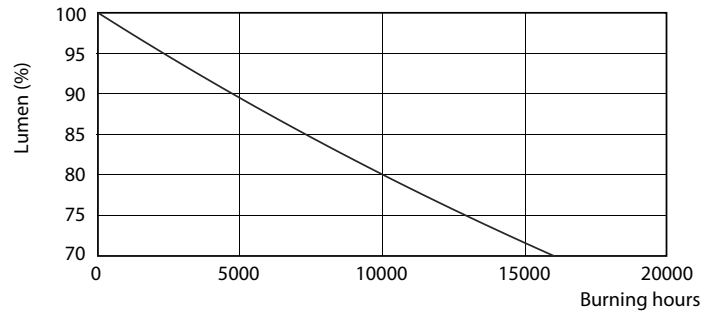
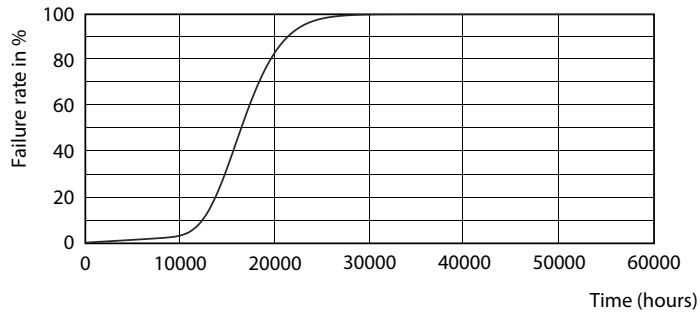
CorePro LEDbulb ND 10-75W A60

CorePro LEDbulb ND 10-75W A60



# A-Shape LED

## Lifetime



LEDbulb 100W E27 840 FR A60

LEDbulb 100W E27 840 FR A60

