



MASTER LEDspot PAR

MASTER LEDspot D 5.5-50W 3000K PAR20 25D

With its robust design and warm-white beam of light, these new-generation PAR lamps are ideal for general lighting and spot lighting in the hospitality industry. There is a choice of dimmable and non-dimmable versions. They are especially suitable for public areas such as lobbies, corridors, stairwells, where the light is always on. Compatible with existing fixtures with an E27 holder and designed for retrofit replacement of halogen/incandescent lamps, MASTER LEDspot PAR deliver huge energy savings and minimize maintenance cost without any reduction in brightness. The IP44-rated outdoor version of the PAR 38 lamp is one of the few energy-saving alternatives to incandescent PAR38 outdoor lamps available today. The dimmable PAR 20 is a perfect replacement for an incandescent spot.

Product data

• General Characteristics

Cap-Base	E27
Bulb	PAR20 [PAR20 mm]
Rated Lifetime (hours)	45000 hr
Nominal Lifetime hours	45000 hr

• Light Technical Characteristics

Color Code	830
Color Designation (text)	White
Beam Angle	25 D
Correlated Color Temperature	3000 K
Luminous Flux	490 Lm
Luminous Intensity	2050 cd
Color rendering index	80
Luminous Efficacy Lamp	89 Lm/W
Color Temperature	3000 K [CCT 3000K]
Rated Luminous Flux	490 Lm
LLMF - end nominal lifetime	70 %
Colour consistency	6 steps
Rated Beam Angle	25 D
Luminous flux in 90° cone	450 Lm

• Electrical Characteristics

Wattage	5.5 W
Wattage Technical	5.5 W
Voltage	230 V
Line Frequency	50 Hz

Power Factor	0.85 -
Lamp Current mA	31 mA
Dimmable	Yes
Wattage Equivalent	50 W
Rated Wattage	5.5 W
Starting Time	0.5 (max) s
Warm-up Time to 60% Light Outp	instant full light
Suitable for accent lighting	Yes

• Temperature Characteristics

T-case maximum	85 C
----------------	------

• Environmental characteristics

Energy Efficiency Label (EEL)	A+
Energy consumption kWh/1000h	6 kWh

• Measuring Conditions

Switching cycle	20000X
-----------------	--------

• Product Dimensions

Overall Length C	85.2 mm
Diameter D	65 mm

• Product Data

Order code	929001145402
Full product code	929001145402
Full product name	MASTER LEDspot D 5.5-50W 3000K PAR20 25D



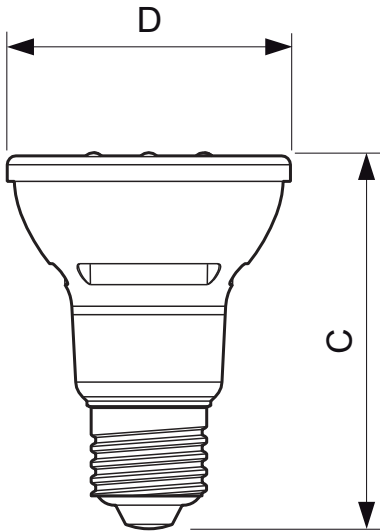
PHILIPS

MASTER LEDspot PAR

Order product name MASTER LEDspot D 5.5-50W 3000K
PAR20 25D
Pieces per pack 1
Packing configuration 6
Packs per outerbox 6
Bar code on pack -
EAN1 8718696460658

Bar code on 8718696460665
outerbox - EAN3
Logistic code(s) - 929001145402
12NC
Net weight per piece 0.001 kg

Dimensional drawing



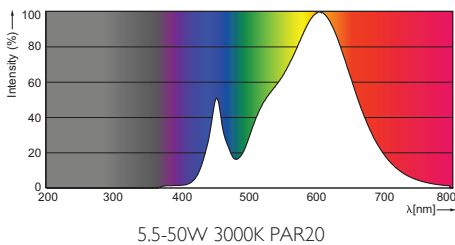
MASTER LEDspot D 5.5-50W 3000K PAR20 25D

Product	C (Norm)	C1 (Max)	D (Norm)	D1 (Norm)
LED D 5.5-50W E27 3000K PAR20 25D	85.2	-	65	-



E27

Photometric data



© 2015 Koninklijke Philips N.V. (Royal Philips)
All rights reserved.

Specifications are subject to change without notice. Trademarks are the property of Koninklijke Philips N.V. (Royal Philips) or their respective owners.

www.philips.com/lighting

2015, May 13
data subject to change