



MASTER LEDspot MV

MASTER LEDspotMV D 5.4-50W GU10 930 25D

Delivering a warm, halogen-like accent beam, MASTER LEDspot MV is a perfect fit for spot lighting (track, corridors, lift lobbies, display cases and cabinets) in the hospitality industry. It is particularly suitable to public areas where the light is on 24/7, such as lobbies, corridors, stairwells. MASTER LEDspot MV delivers huge energy savings and minimizes maintenance cost without any compromise on brightness, enabling hospitality owners to achieve a return on their investment within one year. These LEDspots are compatible with most existing fixtures with a GU10 holder and designed as a retrofit replacement for halogen or incandescent spots. The dimmable versions drive further efficiencies, while helping to create the desired atmosphere.

Product data

• General Characteristics

| | |
|------------------------|----------|
| Cap-Base | GU10 |
| Rated Lifetime (hours) | 50000 hr |
| Nominal Lifetime hours | 50000 hr |

• Light Technical Characteristics

| | |
|------------------------------|--------------------|
| Color Code | 930 |
| Color Designation (text) | Warm White |
| Beam Angle | 25 D |
| Beam Description | 25D [Medium beam] |
| Correlated Color Temperature | 3000 K |
| Luminous Flux | 395 Lm |
| Luminous Intensity | 1350 cd |
| Color rendering index | 90 |
| Luminous Efficacy | 66.67 Lm/W |
| Lamp Color Temperature | 3000 K [CCT 3000K] |
| Rated Luminous Flux | 395 Lm |
| LLMF - end nominal lifetime | 70 % |
| Colour consistency | 6 steps |
| Rated Beam Angle | 25 D |
| Luminous flux in 90° cone | 360 Lm |

• Electrical Characteristics

| | |
|----------------|-----------|
| Wattage | 5.4 W |
| Voltage | 220-240 V |
| Line Frequency | 50-60 Hz |
| Power Factor | 0.5 - |

| | |
|--------------------------------|--------------------|
| Lamp Current mA | 28 mA |
| Dimmable | Yes |
| Wattage Equivalent | 50 W |
| Rated Wattage | 5.4 W |
| Starting Time | 0.5 (max) s |
| Warm-up Time to 60% Light Outp | instant full light |
| Suitable for accent lighting | Yes |

• Temperature Characteristics

| | |
|----------------|------|
| T-case maximum | 84 C |
|----------------|------|

• Environmental characteristics

| | |
|-------------------------------|-------|
| Energy Efficiency Label (EEL) | A+ |
| Energy consumption kWh/1000h | 6 kWh |

• Measuring Conditions

| | |
|-----------------|--------|
| Switching cycle | 50000X |
|-----------------|--------|

• Product Dimensions

| | |
|------------------|-------|
| Overall Length C | 57 mm |
| Diameter D | 50 mm |

• Product Data

| | |
|-------------------|---|
| Order code | 929001138802 |
| Full product code | 929001138802 |
| Full product name | MASTER LEDspotMV D 5.4-50W GU10 930 25D |



PHILIPS

MASTER LEDspot MV

Order product name MAS LEDspotMV D 5.4-50W GU10
 930 25D
 Pieces per pack 1
 Packing configuration 10
 Packs per outerbox 10
 Bar code on pack - EAN1 8718696457191

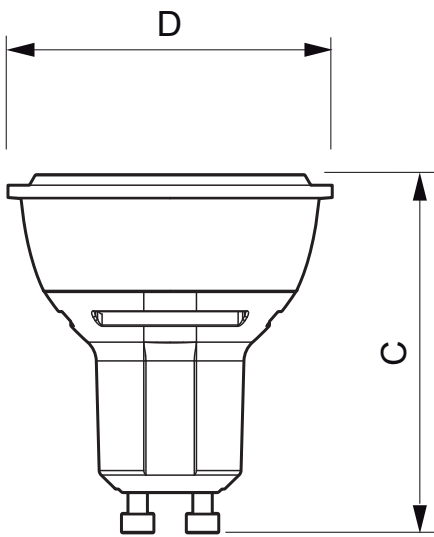
Bar code on outerbox - EAN3 8718696457207
 Logistic code(s) - 12NC 929001138802
 Net weight per piece 0.036 kg

Warnings and Safety

- Operating temperature range is between -20° C and 45° C ambient

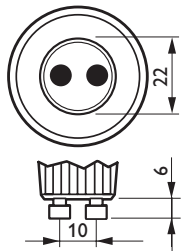
- Only to apply in dry or damp locations and most of open fixtures with lamp-holders that offer sufficient space (10 mm free air space)
- Not intended for use with emergency light fixtures or exit lights

Dimensional drawing



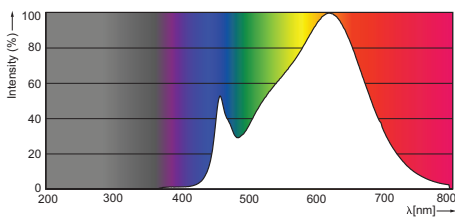
MASTER LEDspotMV D 5.4-50W GU10 930 25D

| Product | C (Norm) | C1 (Max) | D (Norm) | D1 (Norm) |
|----------------------------|----------|----------|----------|-----------|
| LED D 5.4-50W GU10 930 25D | 57 | - | 50 | - |



GU10

Photometric data



GU10 /930



© 2015 Koninklijke Philips N.V. (Royal Philips)
All rights reserved.

Specifications are subject to change without notice. Trademarks are the property of Koninklijke Philips N.V. (Royal Philips) or their respective owners.

www.philips.com/lighting

2015, October 17
data subject to change