



MASTER LEDlamps DimTone

MASTER LEDspotMV DimTone 4-35W GU10 25D

MASTER LEDlamps DimTone deliver the warm, defined beam and the shift to warmer color during dimming that is provided by halogen and GLS, while offering the energy savings, minimized maintenance costs and extended lifetime of LED lamps. Enabling maximum warmth and ambiance at lower dimming levels, it is ideal for hospitality applications requiring heightened customer comfort, such as restaurants, bars, washrooms and lobbies. The DimTone feature means light color shifts from regular warm white at maximum light output to warmer white at lowest light under full dimming, same as halogen and GLS. Further efficiency and energy savings are offered under such dimmed conditions. These DimTone MVspots fit most existing fixtures with a GU10 socket, and the innovative driver design ensures compatibility with a broad range of dimmer types. The DimTone bulbs are designed for retrofit replacement of dimmable incandescent bulbs.

Product data

• General Characteristics

Cap-Base	GU10
Rated Lifetime (hours)	50000 hr
Nominal Lifetime hours	50000 hr

Wattage Equivalent	35 W
Rated Wattage	4.0 W
Starting Time	0.5 (max) s
Warm-up Time to 60% Light Outp	instant full light
Suitable for accent lighting	Yes

• Light Technical Characteristics

Color Code	822-827 [tuneable warm white]
Color Designation (text)	Warm White
Beam Angle	25 D
Beam Description	25D [Medium beam]
Luminous Flux	305 Lm
Luminous Intensity	1000 cd
Color rendering index	80
Luminous Efficacy	70.00 Lm/W
Lamp	
Color Temperature	2200-2700 K [CCT 2200K-2700K]
Rated Luminous Flux	305 Lm
LLMF - end nominal lifetime	70 %
Colour consistency	6 steps
Rated Beam Angle	25 D
Luminous flux in 90° cone	280 Lm

• Temperature Characteristics

T-case maximum	70 C
----------------	------

• Environmental characteristics

Energy Efficiency Label (EEL)	A+
Energy consumption kWh/1000h	4 kWh

• Measuring Conditions

Switching cycle	50000X
-----------------	--------

• Product Dimensions

Overall Length C	55 mm
Diameter D	50 mm

• Product Data

Order code	929001130602
Full product code	929001130602
Full product name	MASTER LEDspotMV DimTone 4-35W GU10 25D
Order product name	MAS LEDspotMV DimTone 4-35W GU10 25D
Pieces per pack	1

• Electrical Characteristics

Wattage	4 W
Voltage	220-240 V
Line Frequency	50-60 Hz
Power Factor	0.5 -
Lamp Current mA	22 mA
Dimmable	Yes



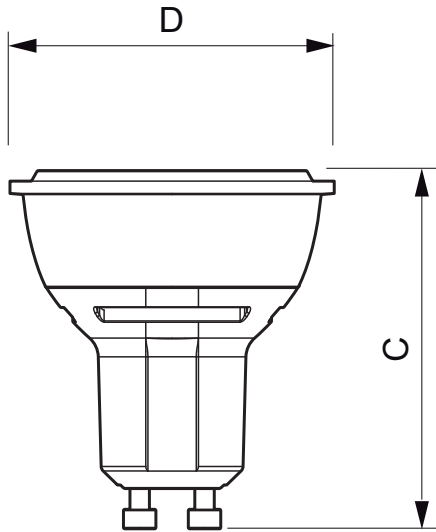
PHILIPS

MASTER LEDlamps DimTone

Packing configuration 10
Packs per outerbox 10
Bar code on pack - EAN1 8718696438282
Bar code on outerbox - EAN3 8718696438299

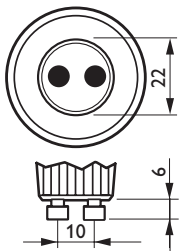
Logistic code(s) - 929001130602
12NC
Net weight per piece 0.036 kg

Dimensional drawing



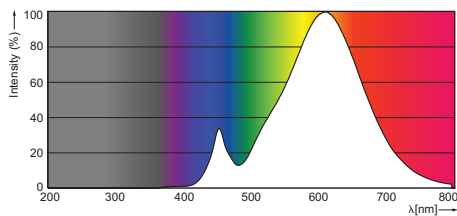
MASTER LEDspotMV DimTone 4-35W GU10 25D

Product	C (Norm)	C1 (Max)	D (Norm)	D1 (Norm)
LED DimTone 4-35W GU10 25D	55	-	50	-



GU10

Photometric data



DimTone 4-35W GU10 /827



© 2015 Koninklijke Philips N.V. (Royal Philips)
All rights reserved.

Specifications are subject to change without notice. Trademarks are the property of Koninklijke Philips N.V. (Royal Philips) or their respective owners.

www.philips.com/lighting

2015, October 17
data subject to change