



MASTER LEDlamps DimTone

MAS LEDspotLV DimTone 6.5-35W MR16 24D

MASTER LEDlamps DimTone deliver the warm, defined beam and the shift to warmer color during dimming that is provided by halogen and GLS, while offering the energy savings, minimized maintenance costs and extended lifetime of LED lamps. Enabling maximum warmth and ambiance at lower dimming levels, it is ideal for hospitality applications requiring heightened customer comfort, such as restaurants, bars, washrooms and lobbies. The DimTone feature means light color shifts from regular warm white at maximum light output to warmer white at lowest light under full dimming, same as halogen and GLS. Further efficiency and energy savings are offered under such dimmed conditions. These DimTone MVspots fit most existing fixtures with a GU10 socket, and the innovative driver design ensures compatibility with a broad range of dimmer types. The DimTone bulbs are designed for retrofit replacement of dimmable incandescent bulbs.

Product data

• General Characteristics

Cap-Base	GU5.3
Bulb	MR16 [MR 16inch/50mm]
Rated Lifetime (hours)	25000 hr
Nominal Lifetime hours	25000 hr

• Light Technical Characteristics

Color Code	WW
Color Designation (text)	Warm White
Beam Angle	24 D
Beam Description	24D [Medium beam]
Correlated Color Temperature	2700 K
Luminous Flux	410 Lm
Luminous Intensity	1800 cd
Color rendering index	80
Luminous Efficacy Lamp	63.08 Lm/W
Color Temperature	2700 K [CCT 2700K]
Rated Luminous Flux	410 Lm
LLMF - end nominal lifetime	70 %
Colour consistency	6 steps
Rated Beam Angle	24 D
Luminous flux in 90° cone	370 Lm

• Electrical Characteristics

Wattage	6.5 W
Voltage	12 V
Line Frequency	50-60 Hz

Power Factor	0.7 -
Lamp Current mA	800 mA
Dimmable	Yes
Wattage Equivalent	35 W
Rated Wattage	6.5 W
Starting Time	0.5 (max) s
Warm-up Time to 60% Light Outp	instant full light
Suitable for accent lighting	Yes

• Temperature Characteristics

• Environmental characteristics

Energy Efficiency Label (EEL)	A
Energy consumption kWh/1000h	7 kWh

• Measuring Conditions

Switching cycle	50000X
-----------------	--------

• Product Dimensions

Overall Length C	50 mm
Diameter D	51 mm

• Product Data

Order code	929001127802
Full product code	929001127802
Full product name	MAS LEDspotLV DimTone 6.5-35W MR16 24D



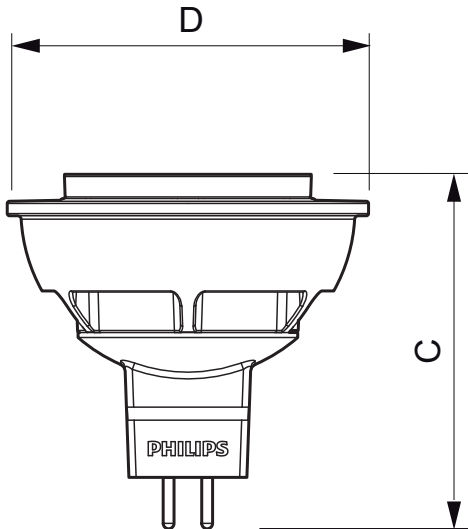
PHILIPS

MASTER LEDlamps DimTone

Order product name MAS LEDspotLV DimTone 6.5-35W
MR16 24D
Pieces per pack 1
Packing configuration 10
Packs per outerbox 10
Bar code on pack - EAN1 8718696442135

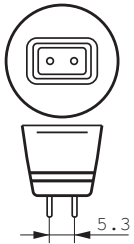
Bar code on outerbox - EAN3 8718696442142
Logistic code(s) - 12NC 929001127802
Net weight per piece 0.045 kg

Dimensional drawing



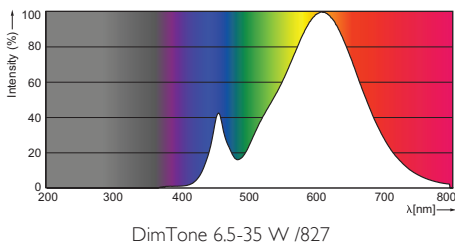
MAS LEDspotLV DimTone 6.5-35W MR16 24D

Product	C (Norm)	D (Norm)
LED DimTone 6.5-35W MR16 24D	50	51



GU5.3

Photometric data



© 2015 Koninklijke Philips N.V. (Royal Philips)
All rights reserved.

Specifications are subject to change without notice. Trademarks are the property of Koninklijke Philips N.V. (Royal Philips) or their respective owners.

www.philips.com/lighting

2015, August 29
data subject to change