



# MASTER LEDspot LV AR111

MASTER LEDspotLV D 15-75W 827 AR111 40D

Delivering a warm, halogen-like accent beam, MASTER LEDspot LV AR111 is an ideal retrofit solution for spot and general lighting applications in the hospitality and retail industry. It is particularly suitable for general lighting where the light is on all the time, such as creative accent lighting applications in shops, restaurants, hotels, and especially for galleries, exhibitions and museums. The robustly designed MASTER LEDspot LV AR111 offers various beam angles for a clearly defined beam spread. There is no UV or IR in the beam, making it suitable for illuminating heat-sensitive objects (food, organic materials, paintings, etc.). The patented intelligent driver enables broad compatibility with existing electromagnetic and electronic halogen transformers. MASTER LEDspot LV AR111 delivers huge energy savings and minimizes maintenance cost without any reduction in brightness.

## Product data

### • General Characteristics

Cap-Base	G53
Bulb	AR111
Rated Lifetime (hours)	40000 hr
Nominal Lifetime hours	40000 hr

### • Light Technical Characteristics

Color Code	827
Color Designation (text)	Warm White
Beam Angle	40 D
Correlated Color Temperature	2700 K
Luminous Flux	760 Lm
Luminous Intensity	1660 cd
Color rendering index	80
Luminous Efficacy Lamp	50.67 Lm/W
Color Temperature	2700 K [CCT 2700K]
Rated Luminous Flux	760 Lm
LLMF - end nominal lifetime	70 %
Colour consistency	6 steps
Rated Beam Angle	40 D
Luminous flux in 90° cone	760 Lm

### • Electrical Characteristics

Wattage	15 W
Wattage Technical	15 W
Voltage	12 V
Line Frequency	50-60 Hz

Power Factor	0.5 -
Lamp Current mA	1600 mA
Dimmable	Yes
Wattage Equivalent	75 W
Rated Wattage	15 W
Starting Time	1 (max) s
Warm-up Time to 60% Light Outp	instant full light
Suitable for accent lighting	Yes

### • Temperature Characteristics

### • Environmental characteristics

Energy Efficiency Label (EEL)	A
Energy consumption kWh/1000h	16 kWh

### • Measuring Conditions

Switching cycle	50000X
-----------------	--------

### • Product Dimensions

Overall Length C	111 mm
Diameter D	56 mm

### • Product Data

Order code	929000261202
Full product code	929000261202
Full product name	MASTER LEDspotLV D 15-75W 827 AR111 40D



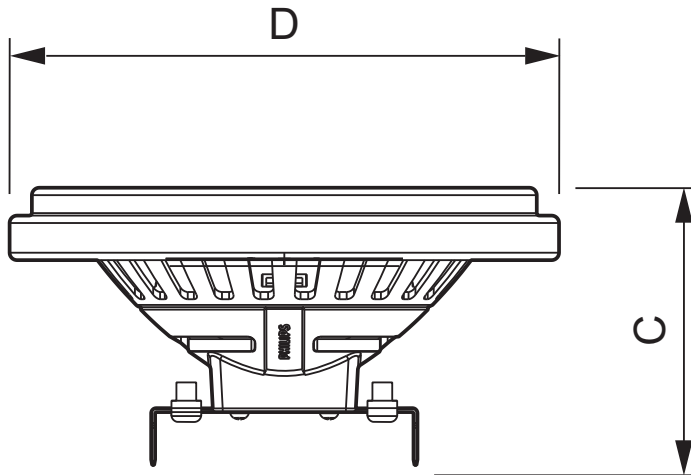
# PHILIPS

# MASTER LEDspot LV AR111

Order product name MAS LEDspotLV D 15-75W 827  
AR111 40D  
Pieces per pack 1  
Packing configuration 6  
Packs per outerbox 6  
Bar code on pack -  
EAN1 8718291718581

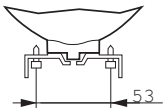
Bar code on  
outerbox - EAN3 8718291718598  
Logistic code(s) -  
12NC 929000261202  
Net weight per piece 0.120 kg

## Dimensional drawing



## MASTER LEDspotLV D 15-75W 827 AR111 40D

Product	C (Norm)	D (Norm)
LED D 15-75W 827 AR111 40D	111	56



G53



© 2015 Koninklijke Philips N.V. (Royal Philips)  
All rights reserved.

Specifications are subject to change without notice. Trademarks are the property of Koninklijke Philips N.V. (Royal Philips) or their respective owners.

[www.philips.com/lighting](http://www.philips.com/lighting)

2015, August 29  
data subject to change