



MASTER LEDspot LV AR111

MASTER LEDspotLV D 10-50W 830 AR111 24D

Delivering a warm, halogen-like accent beam, MASTER LEDspot LV AR111 is an ideal retrofit solution for spot and general lighting applications in the hospitality and retail industry. It is particularly suitable for general lighting where the light is on all the time, such as creative accent lighting applications in shops, restaurants, hotels, and especially for galleries, exhibitions and museums. The robustly designed MASTER LEDspot LV AR111 offers various beam angles for a clearly defined beam spread. There is no UV or IR in the beam, making it suitable for illuminating heat-sensitive objects (food, organic materials, paintings, etc.). The patented intelligent driver enables broad compatibility with existing electromagnetic and electronic halogen transformers. MASTER LEDspot LV AR111 delivers huge energy savings and minimizes maintenance cost without any reduction in brightness.

Product data

• General Characteristics

Cap-Base	G53
Bulb	AR111
Rated Lifetime (hours)	40000 hr
Nominal Lifetime hours	40000 hr

• Light Technical Characteristics

Color Code	830
Color Designation (text)	White
Beam Angle	24 D
Correlated Color Temperature	3000 K
Luminous Flux	645 Lm
Luminous Intensity	3820 cd
Color rendering index	80
Luminous Efficacy Lamp	64.50 Lm/W
Color Temperature	3000 K [CCT 3000K]
Rated Luminous Flux	645 Lm
LLMF - end nominal lifetime	70 %
Colour consistency	6 steps
Rated Beam Angle	24 D
Luminous flux in 90° cone	645 Lm

• Electrical Characteristics

Wattage	10 W
Wattage Technical	10 W
Voltage	12 V
Line Frequency	50-60 Hz

Power Factor	0.5 -
Lamp Current mA	1100 mA
Dimmable	Yes
Wattage Equivalent	50 W
Rated Wattage	10 W
Starting Time	1 (max) s
Warm-up Time to 60% Light Outp	instant full light
Suitable for accent lighting	Yes

• Temperature Characteristics

• Environmental characteristics

Energy Efficiency Label (EEL)	A
Energy consumption kWh/1000h	11 kWh

• Measuring Conditions

Switching cycle	50000X
-----------------	--------

• Product Dimensions

Overall Length C	111 mm
Diameter D	56 mm

• Product Data

Order code	929000260702
Full product code	929000260702
Full product name	MASTER LEDspotLV D 10-50W 830 AR111 24D



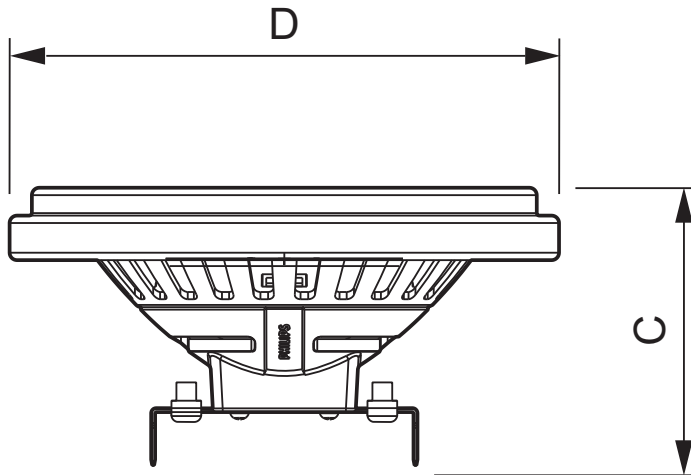
PHILIPS

MASTER LEDspot LV AR111

Order product name MAS LEDspotLV D 10-50W 830
AR111 24D
Pieces per pack 1
Packing configuration 6
Packs per outerbox 6
Bar code on pack -
EAN1 8718291718482

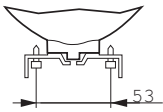
Bar code on
outerbox - EAN3 8718291718499
Logistic code(s) -
12NC 929000260702
Net weight per piece 0.120 kg

Dimensional drawing



MASTER LEDspotLV D 10-50W 830 AR111 24D

Product	C (Norm)	D (Norm)
LED D 10-50W 830 AR111 24D	111	56



G53



© 2015 Koninklijke Philips N.V. (Royal Philips)
All rights reserved.

Specifications are subject to change without notice. Trademarks are the property of Koninklijke Philips N.V. (Royal Philips) or their respective owners.

www.philips.com/lighting

2015, August 29
data subject to change