



MASTER LEDspot PAR

MASTER LEDspot D 14.5-100W 827 PAR38 25D

With its robust design and warm-white beam of light, these new-generation PAR lamps are ideal for general lighting and spot lighting in the hospitality industry. There is a choice of dimmable and non-dimmable versions. They are especially suitable for public areas such as lobbies, corridors, stairwells, where the light is always on. Compatible with existing fixtures with an E27 holder and designed for retrofit replacement of halogen/incandescent lamps, MASTER LEDspot PAR deliver huge energy savings and minimize maintenance cost without any reduction in brightness. The IP44-rated outdoor version of the PAR 38 lamp is one of the few energy-saving alternatives to incandescent PAR38 outdoor lamps available today. The dimmable PAR 20 is a perfect replacement for an incandescent spot.

Product data

• General Characteristics

Cap-Base	E27
Bulb	PAR38 [PAR38 mm]
Rated Lifetime (hours)	40000 hr
Nominal Lifetime hours	40000 hr

• Light Technical Characteristics

Color Code	827
Color Designation (text)	Warm White
Beam Angle	25 D
Correlated Color Temperature	2700 K
Luminous Flux	900 Lm
Luminous Intensity	4700 cd
Color rendering index	80
Luminous Efficacy Lamp	62.07 Lm/W
Color Temperature	2700 K [CCT 2700K]
Rated Luminous Flux	900 Lm
LLMF - end nominal lifetime	70 %
Colour consistency	6 steps
Rated Beam Angle	25 D
Luminous flux in 90° cone	900 Lm

• Electrical Characteristics

Wattage	14.5 W
Wattage Technical	14.5 W
Voltage	220-240 V
Line Frequency	50-60 Hz

Power Factor	0.92 -
Lamp Current mA	67 mA
Dimmable	Yes
Wattage Equivalent	100 W
Rated Wattage	14.5 W
Starting Time	0.5 s
Warm-up Time to 60% Light Outp	instant full light
Suitable for accent lighting	Yes

• Temperature Characteristics

• Environmental characteristics

Energy Efficiency Label (EEL)	A
-------------------------------	---

• Measuring Conditions

Switching cycle	50000X
-----------------	--------

• Product Dimensions

Overall Length C	136.4 mm
Diameter D	121.3 mm

• Product Data

Order code	929000259102
Full product code	929000259102
Full product name	MASTER LEDspot D 14.5-100W 827 PAR38 25D
Order product name	MASTER LEDspot D 14.5-100W 827 PAR38 25D
Pieces per pack	1



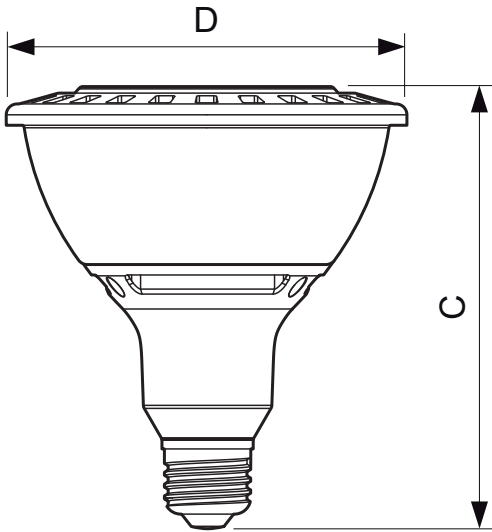
PHILIPS

MASTER LEDspot PAR

Packing configuration 10
Packs per outerbox 10
Bar code on pack - EAN1 8718291714385
Bar code on outerbox - EAN3 8718291714392

Logistic code(s) - 929000259102
12NC
Net weight per piece 0.609 kg

Dimensional drawing



MASTER LEDspot D 14.5-100W 827 PAR38 25D

Product	C (Norm)	C1 (Max)	D (Norm)	D1 (Norm)
LED D 14.5-100W 827 PAR38 25D	136.4	-	121.3	-



E27



© 2014 Koninklijke Philips N.V. (Royal Philips)
All rights reserved.

Specifications are subject to change without notice. Trademarks are the property of Koninklijke Philips N.V. (Royal Philips) or their respective owners.

www.philips.com/lighting

2014, September 4
data subject to change