



# MasterColor CDM-R111 Elite

MasterColor CDM-R111 Elite 70W/930 GX8.5 24D

MasterColor CDM-R111 Elite combines the trendy look of 111 mm aluminum-reflector halogen lamps with the long life, high energy efficiency and crisp white light of MasterColor CDM.

## Product data

### • General Characteristics

Base	GX8.5
Bulb	R111 [R 111mm]
Bulb Finish	Reflector
Operating Position	Universal [Any or Universal (U)]
Life to 5% failures EL	8000 hr
Life to 10% failures EL	9500 hr
Life to 20% failures EL	10500 hr
Avg. Hrs. Life	12000 hr

Forward Lum Maintenance 8000h	80 %
Forward Lum Maintenance 12000h	70 %
Design Mean Lumens	3100 Lm
Chromaticity Coordinate X	0.437 -
Chromaticity Coordinate Y	0.396 -
Luminous flux in 90° cone	3550 Lm

### • Light Technical Characteristics

Beam Description	Narrow Flood
Beam Angle	24 D
Beam Angle Technical	16 (min), 22 (nom), 27.5 (max) D
Approx. MBCP	16000 cd
Color Code	930 [CCT of 3000K]
Color Rendering Index	89 (min), 92 (nom) Ra8
Color Designation	Warm White
Color Temperature	3000 K
Color Temperature technical	3000 K
Forward Luminous Output	3700 Lm
Forward Luminous Efficacy	50 Lm/W
LLMF - end nominal lifetime	70 %
Forward Lum Maintenance 2000h	90 %
Forward Lum Maintenance 4000h	85 %

### • Electrical Characteristics

System Power EL	80 W
Energy Used	70 W
Lamp Wattage EL	70 W
Lamp Wattage EL 25°C, Rated	73.0 W
Lamp Voltage	89 V
Lamp Current EL	0.820 A
Ignition Time	30 (max) s
Run-up time 90%	3 (max) min
Re-ignition Time [min]	15 (max) min
Dimmable	No
Warm-up Time to 60% Light Outp	120 s

### • Environmental Characteristics

Energy Efficiency Label (EEL)	A
Mercury (Hg) Content	6.6 mg
Energy consumption kWh/1000h	80 kWh

**PHILIPS**

• **Measuring Conditions**

Switching cycle 1050X

• **Product Dimensions**

Overall Length C 95 (max) mm  
 Diameter D 111 (max) mm  
 Max. Overall Length (MOL) - C 3.75 (max) in

• **Product Data**

Order code 928195705306  
 Full product code 928195705306

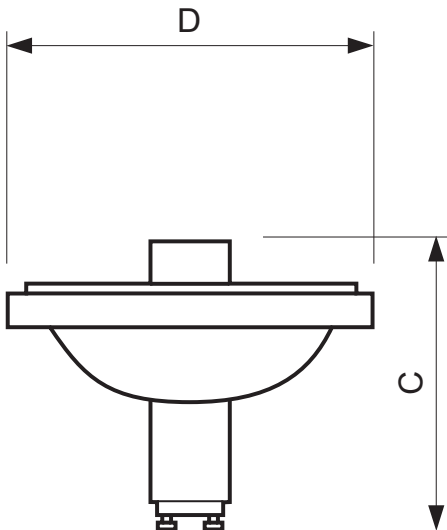
Full product name MasterColor CDM-R111 Elite  
 70W/930 GX8.5 24D  
 Order product name MASTERC CDM-R111 Elite 70W/930  
 GX8.5 24D  
 Pieces per pack 1  
 Packing configuration 6  
 Packs per outerbox 6  
 Bar code on pack - EAN1 46677430764  
 Bar code on outerbox - EAN3 50046677430769  
 Logistic code(s) - 12NC 928195705306  
 ILCOS code MRS/UB-70/930-H-GX8.5-111/88/24  
 Net weight per piece 0.096 kg

**Warnings and Safety**

- Control gear must include end-of-life protection (IEC61167, IEC 62035)

- Use only with electronic control gear. 35W/930 lamps may also use electromagnetic gear

**Dimensional drawing**



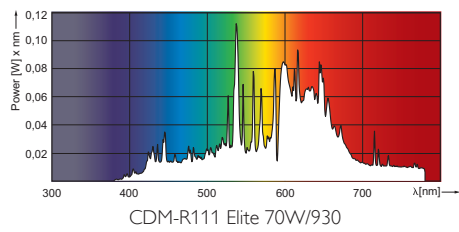
**MasterColor CDM-R111 Elite 70W/930 GX8.5 24D**

Product	C (Max)	D (Max)
CDM-R111 Elite 70W/930 24D	95	111



GX8.5

Photometric data



© 2014 Koninklijke Philips N.V. (Royal Philips)  
All rights reserved.

Specifications are subject to change without notice. Trademarks are the property of Koninklijke Philips N.V. (Royal Philips) or their respective owners.

[www.philips.com/lighting](http://www.philips.com/lighting)

2014, May 31  
data subject to change